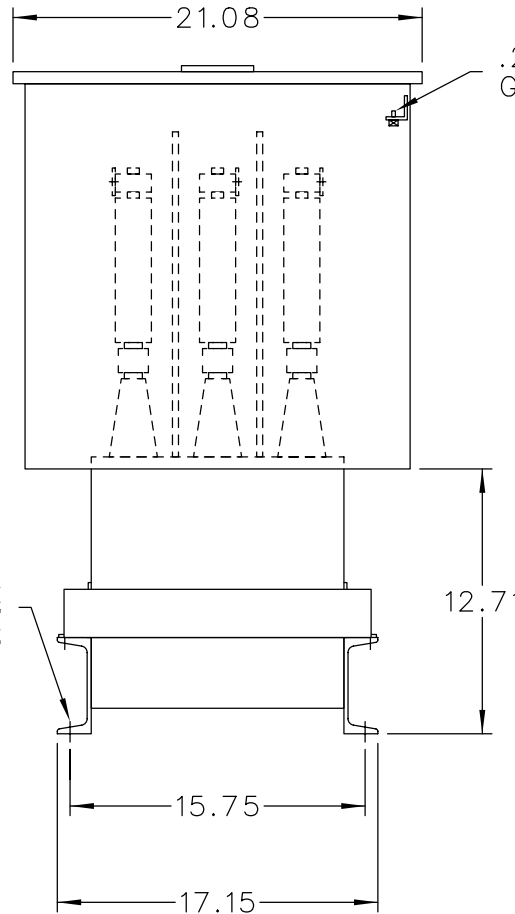
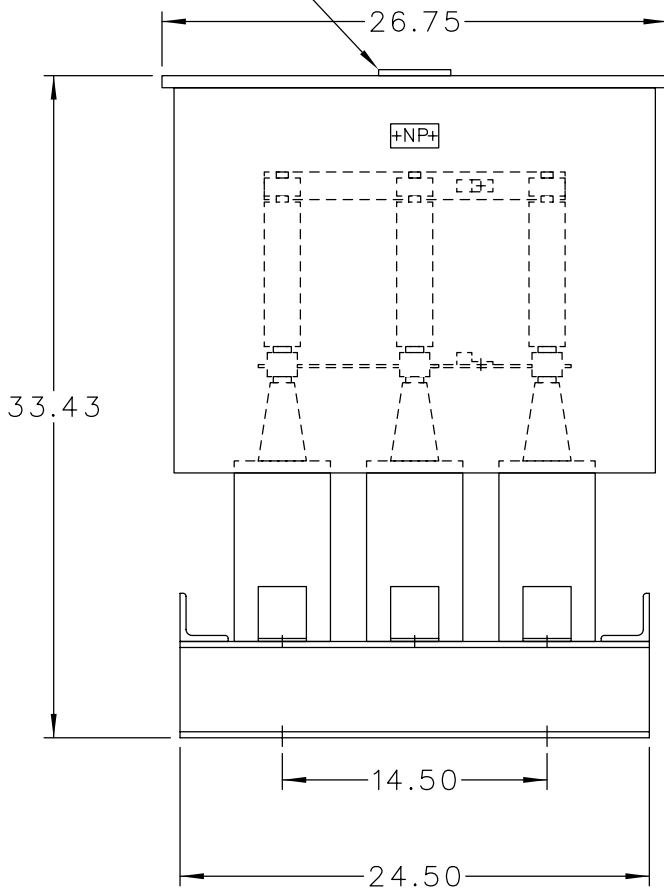
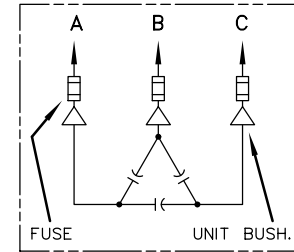


101N140
LOCATE ON
CENTER OF
COVER



.25-20
GRD SCR.



SCHEMATIC DIAGRAM


INCLUDES DISCHARGE RESISTORS

CAT. 37F0525436 SER.NO.
KVAR 450 VOLT 4160
Hz 60 PH 3 CONN. DELTA
CONN. DIAG.

READ INST. GEH-2711

NP220452

NOTE:
ADD "037" SUFFIX TO
CATALOG NO. FOR
CSA LABELED PRODUCT.

 CAPACITOR & POWER PROTECTION FORT EDWARD, N.Y., U.S.A.	SIZE A	APPROX. WT 221 LBS
	SCALE	
DRAWN E. McGINN	MAY 17, 1994	
ISSUED		

OUTLINE
37F0525436

SHEET 2

DISTR TO