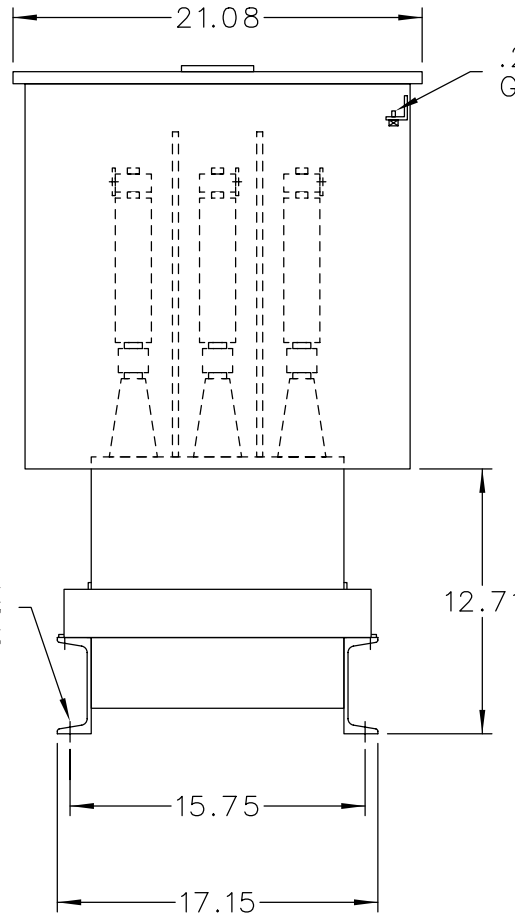
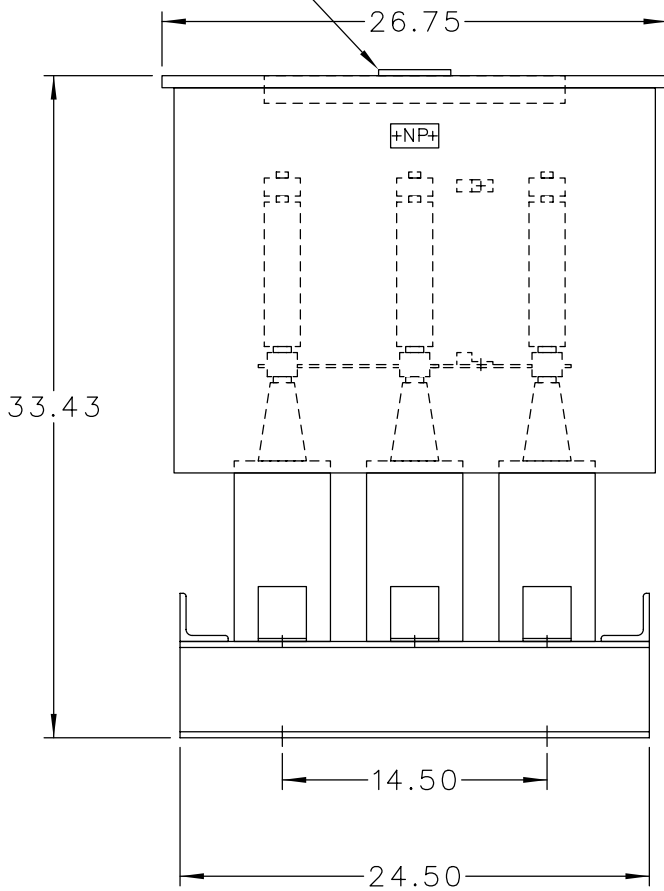
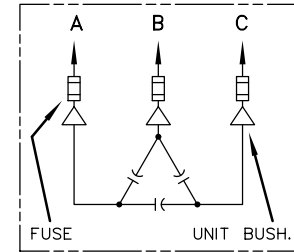


101N140
LOCATE ON
CENTER OF
COVER



.25-20
GRD SCR.



SCHEMATIC DIAGRAM


INCLUDES DISCHARGE RESISTORS

CAT. 37F0525441 SER.NO.
KVAR 600 VOLT 4160
Hz 60 PH 3 CONN. DELTA
CONN. DIAG.

READ INST. GEH-2711

NP220452

NOTE:
ADD "037" SUFFIX TO
CATALOG NO. FOR
CSA LABELED PRODUCT.

| | | |
|--|------------------|-----------------------|
|  CAPACITOR & POWER PROTECTION FORT EDWARD, N.Y., U.S.A. | SIZE A | APPROX. WT 254 LBS |
| | SCALE | |
| DRAWN E. McGINN | MAY 17, 1994 | |
| ISSUED | | |

OUTLINE
37F0525441

SHEET 2

DISTR TO