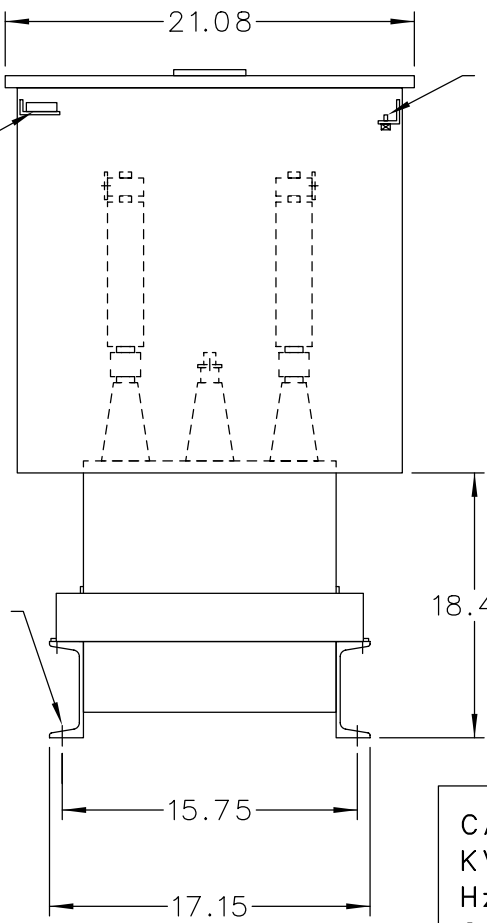


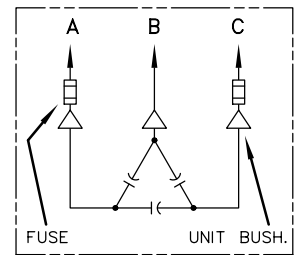
CONNECTION  
FOR USER  
SUPPLIED  
120V POWER

BLOWN FUSE  
INDICATING  
LIGHTS

TERMINAL FOR  
#6 TO 250  
MCM CABLE



.25-20  
GRD SCR.



SCHEMATIC DIAGRAM

INCLUDES DISCHARGE RESISTORS

CAT. 37F0525532 SER.NO.  
KVAR 850 VOLT 4160  
Hz 60 PH 3 CONN. DELTA  
CONN. DIAG.

READ INST. GEH-2711

NP220452

NOTE:  
ADD "037" SUFFIX TO  
CATALOG NO. FOR  
CSA LABELED PRODUCT.

	CAPACITOR & POWER PROTECTION FORT EDWARD, N.Y., U.S.A.	
	DRAWN E.McGINN	OCT. 22, 1998
ISSUED	SCALE	SHEET 2

SIZE <b>A</b>	APPROX.WT 331 LBS
SCALE	SHEET 2

OUTLINE  
37F0525532

DISTR TO