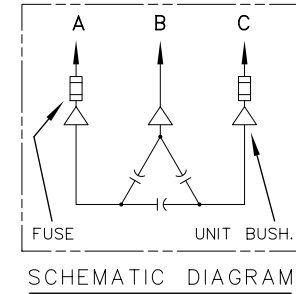
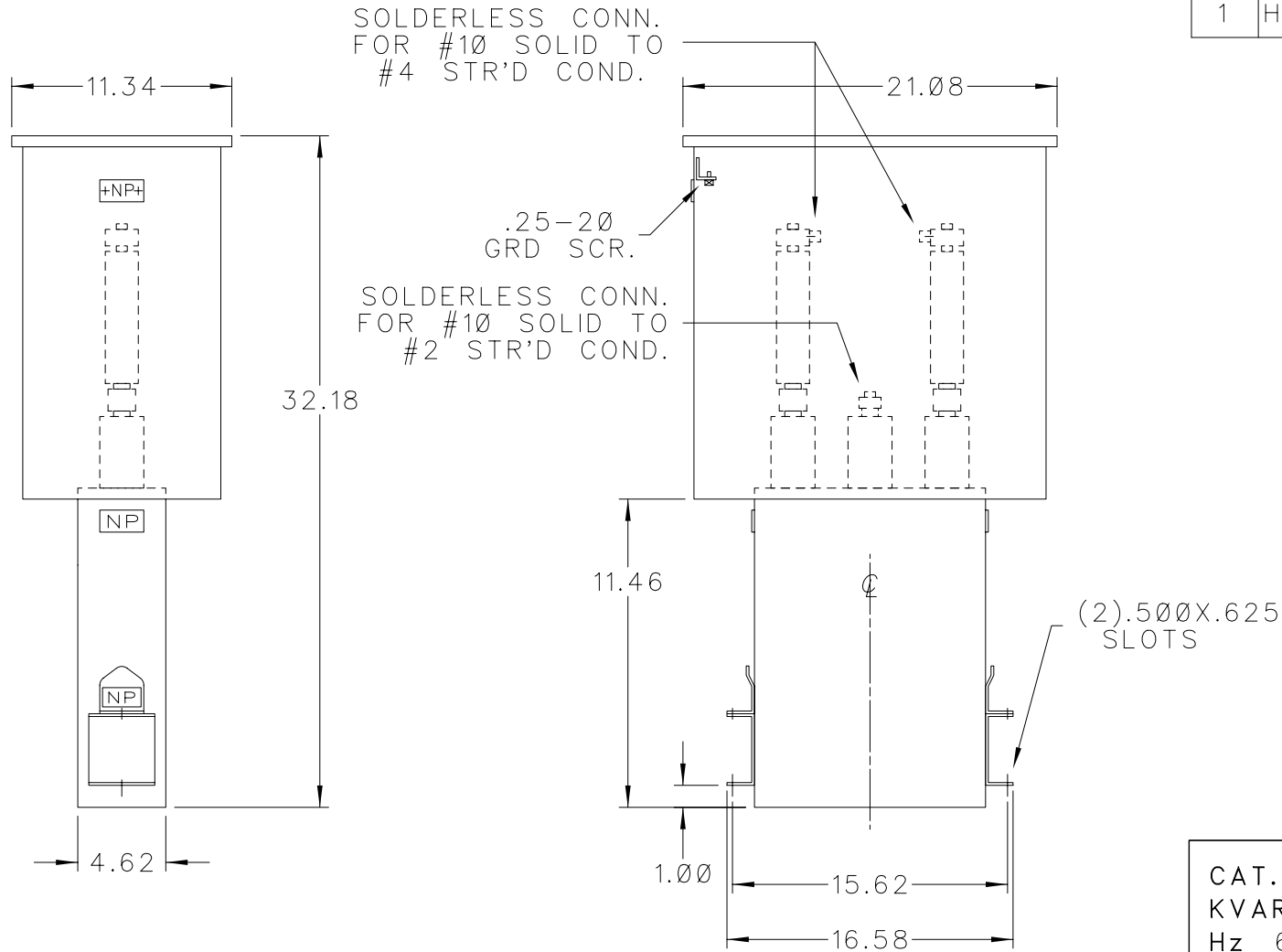


SIZE A	DWG NO. 37F0526314	SH 2	REV
REV	NEW 3/26/87	DATE	
1	HODGES/UPDATE	13R-89 48	



CAT. 37F0526314 SER.NO.
 KVAR 100 VOLT 4800
 Hz 60 PH 3 CONN. DELTA
 CONN. DIAG.
 READ INST. GEH-2711

NP220452

NOTE:
 ADD "Ø37" SUFFIX TO
 CATALOG NO. FOR
 CSA LABELED PRODUCT.

GENERAL		ELECTRIC	SIZE A
PWR DEL'Y COMPONENTS OPER.		LC TN: HUDSON FALLS NY	APPROX.WT 82 LBS
DRAWN <i>W. DeGroff</i>		MARCH 18, 1987	SCALE
ISSUED			13D87-04

OUTLINE
 37F0526314

SHEET 2

DISTR TO