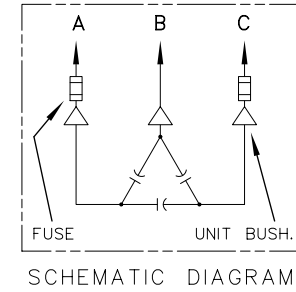
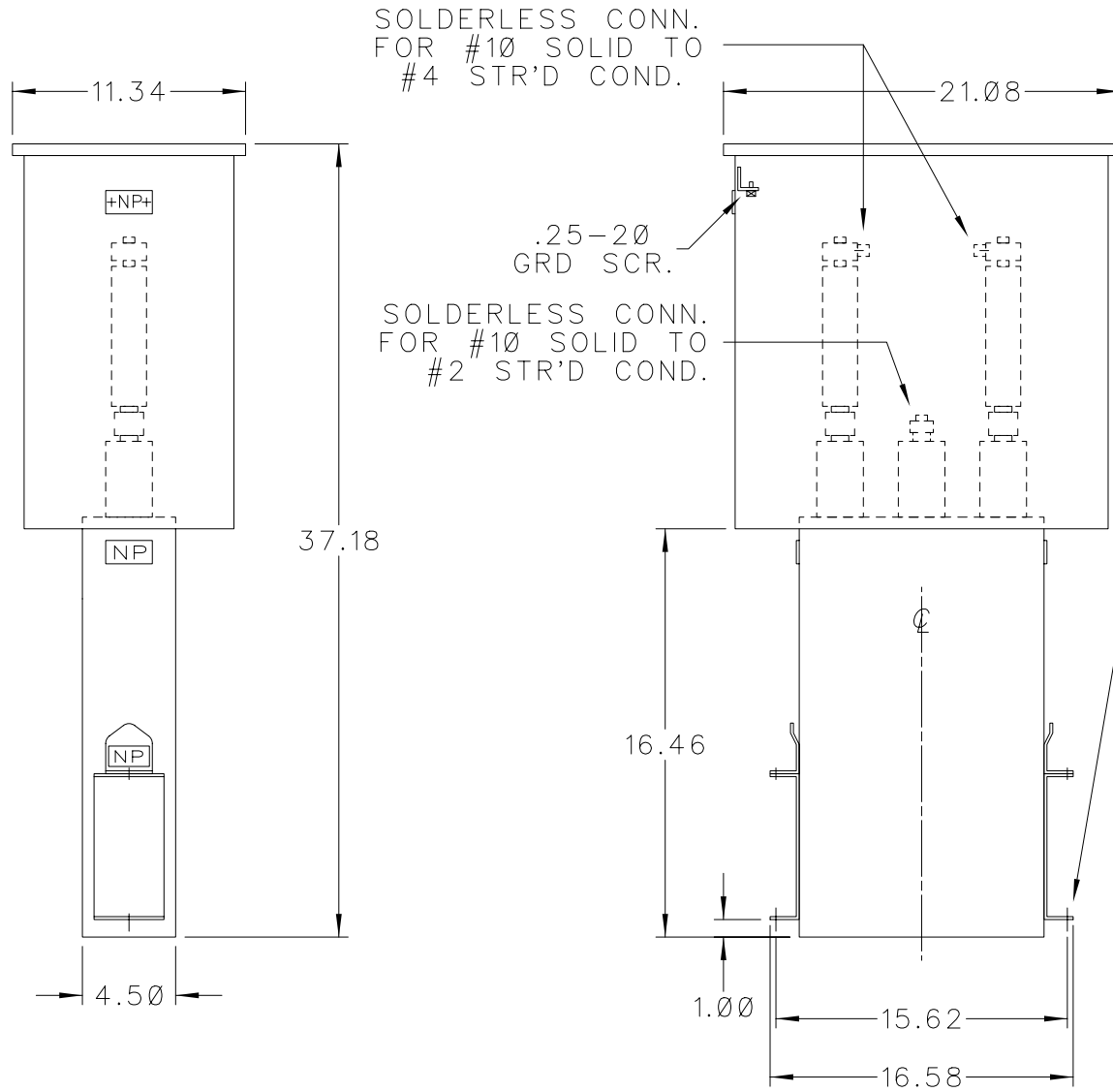



SIZE A	DWG NO. 37F0526323	SH 2	REV
REV	NEW 3/26/87	DATE	
1	HODGES/UPDATE	13R-89 48	



CAT. 37F0526323 SER.NO.
 KVAR 150 VOLT 4800
 Hz 60 PH 3 CONN. DELTA
 CONN. DIAG.
 READ INST. GEH-2711

NP220452

NOTE:
 ADD "Ø37" SUFFIX TO
 CATALOG NO. FOR
 CSA LABELED PRODUCT.

GENERAL  ELECTRIC
 PWR DEL'Y COMPONENTS OPER. LCTN: HUDSON FALLS NY
 DRAWN *W. DeGross* MARCH 18, 1987
 ISSUED

SIZE
A
 APPROX. WT
 98 LBS
 SCALE

OUTLINE
37F0526323
 13D87-04 SHEET 2

DISTR TO