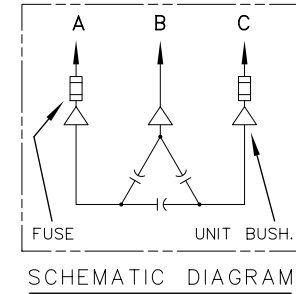
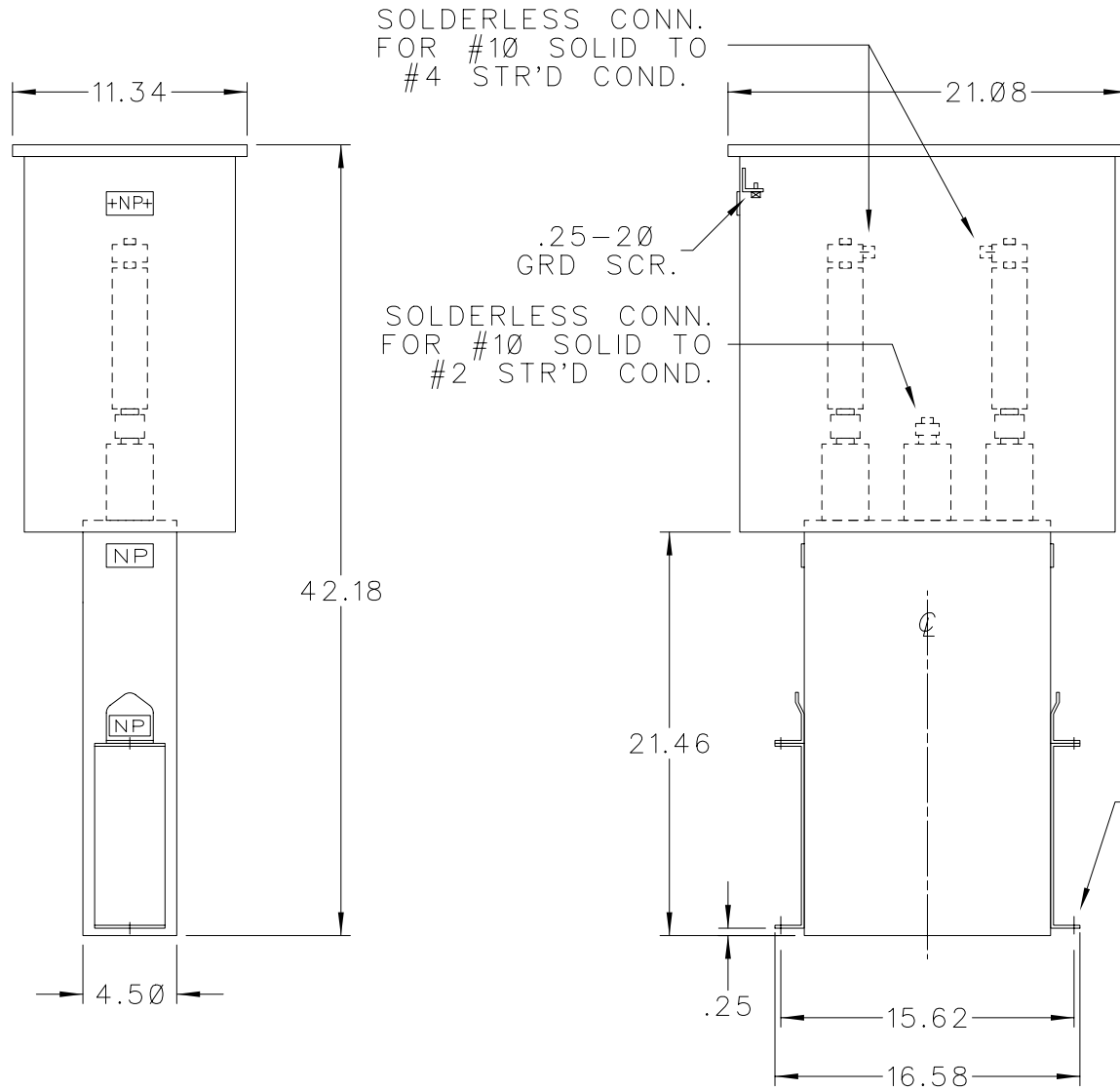



SIZE A	DWG NO. 37F0526324	SH 2	REV
REV 1	3/26/87	DATE	
2	HODGES/UPDATE	13R-89	48



CAT. 37F0526324 SER.NO.
 KVAR 200 VOLT 4800
 Hz 60 PH 3 CONN. DELTA
 CONN. DIAG.
 READ INST. GEH-2711

NP220452

NOTE:
 ADD "Ø37" SUFFIX TO
 CATALOG NO. FOR
 CSA LABELED PRODUCT.

GENERAL  ELECTRIC	
PWR DEL'Y COMPONENTS OPER.	LCTN: HUDSON FALLS NY
DRAWN P.HUMPHRIES	OCTOBER 27, 1986
ISSUED	

SIZE A	APPROX.WT 115 LBS
SCALE	13R-86-108

OUTLINE
 37F0526324

SHEET 2

DISTR TO