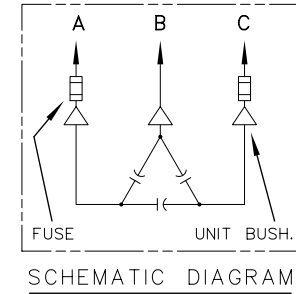
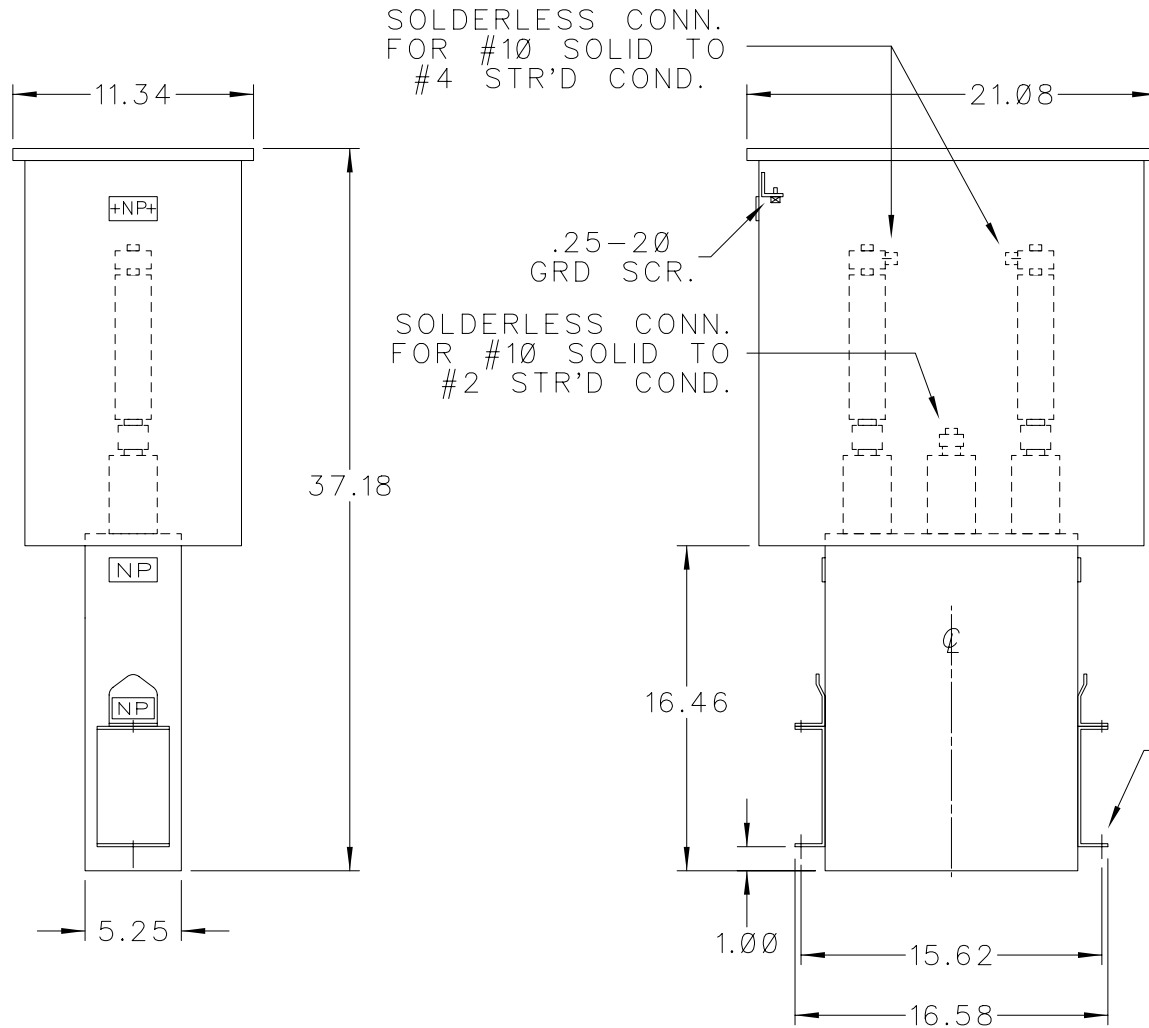


SIZE A	DWG NO. 37F0526325	SH 2	REV
REV	NEW 3/26/87	DATE	
1	HODGES/UPDATE	13R-89 48	



CAT. 37F0526325 SER.NO.
KVAR 175 VOLT 4800
Hz 60 PH 3 CONN. DELTA
CONN. DIAG.

READ INST. GEH-2711

NP220452

NOTE:
ADD "Ø37" SUFFIX TO
CATALOG NO. FOR
CSA LABELED PRODUCT.

GENERAL  ELECTRIC	
PWR DEL'Y COMPONENTS OPER.	LC TN: HUDSON FALLS NY
DRAWN <i>W. DeGross</i>	MARCH 18, 1987
ISSUED	

SIZE A	APPROX. WT 107 LBS
SCALE	13D87-04

OUTLINE 37F0526325
SHEET 2

DISTR TO