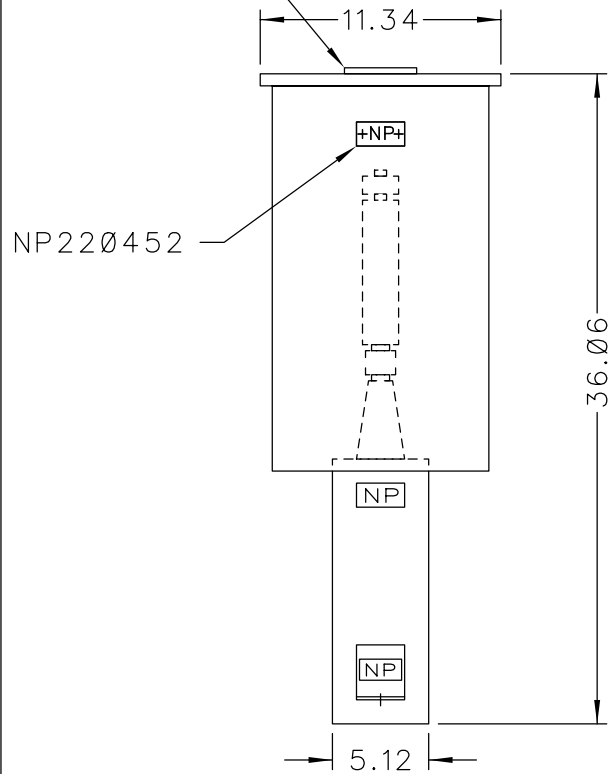
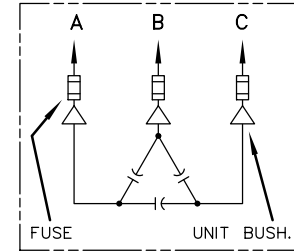
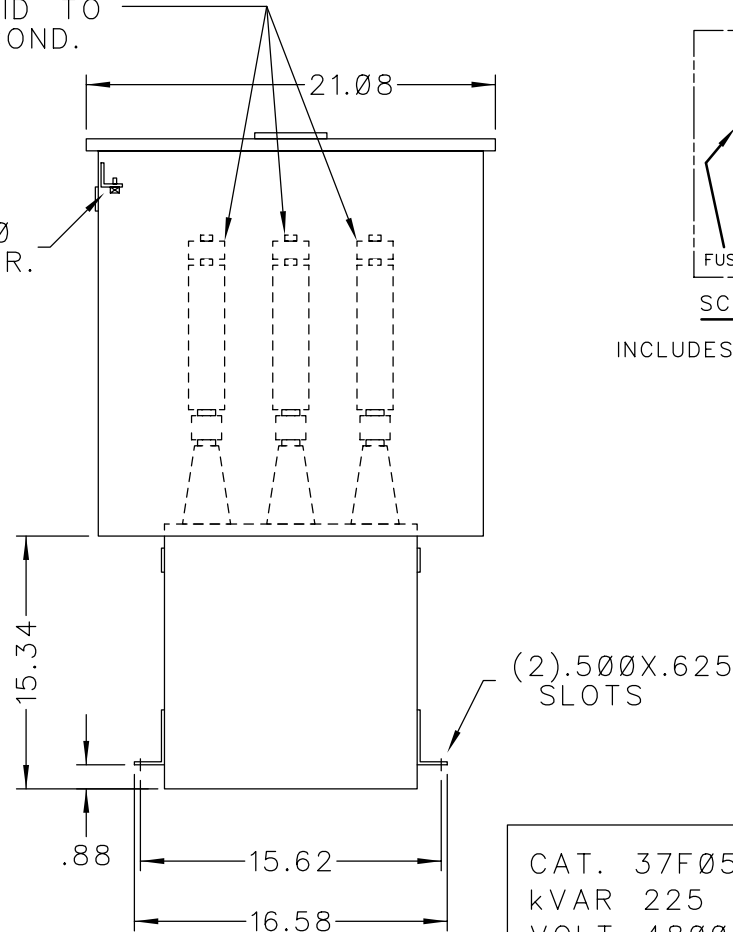


101N140  
LOCATE ON  
CENTER OF  
COVER

SOLDERLESS CONN.  
FOR #10 SOLID TO  
#4 STR'D COND.



.25-20  
GRD SCR.




SCHEMATIC DIAGRAM

INCLUDES DISCHARGE RESISTORS

CAT. 37F0526446 SER.NO.  
kVAR 225 Hz 60 Ph 3  
VOLT 4800 CONN. DELTA  
DIAG  
NP220452  
GEH-2711

NOTE:  
ADD "037" SUFFIX TO  
CATALOG NO. FOR  
CSA LABELED PRODUCT.

 <p>CAPACITOR &amp; POWER PROTECTION FORT EDWARD, N.Y., U.S.A.</p>	SIZE <b>A</b>	APPROX. WT 103 LBS
	DRAWN JCozzens ISSUED 8-6-97	JULY 30, 1997 SCALE

**OUTLINE**  
**37F0526446**

DISTR TO