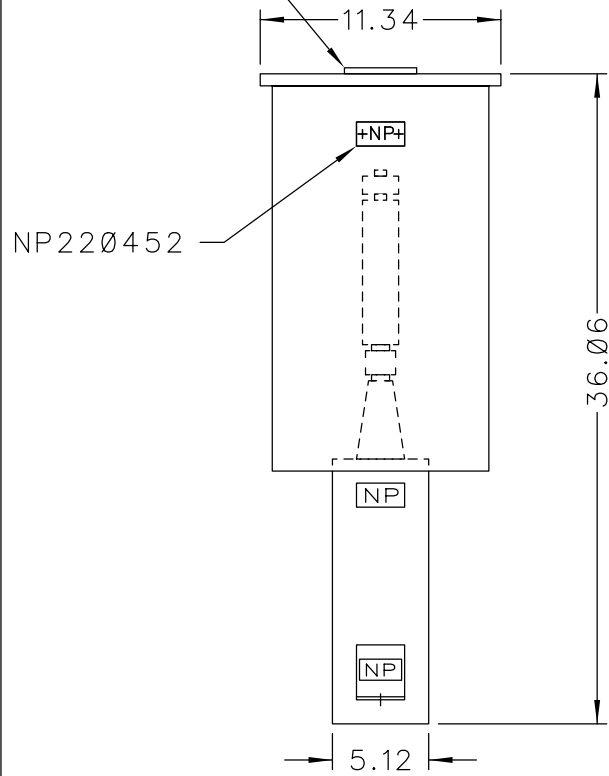
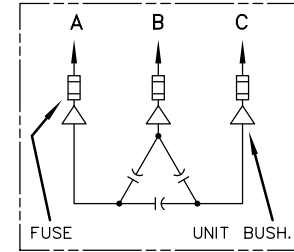
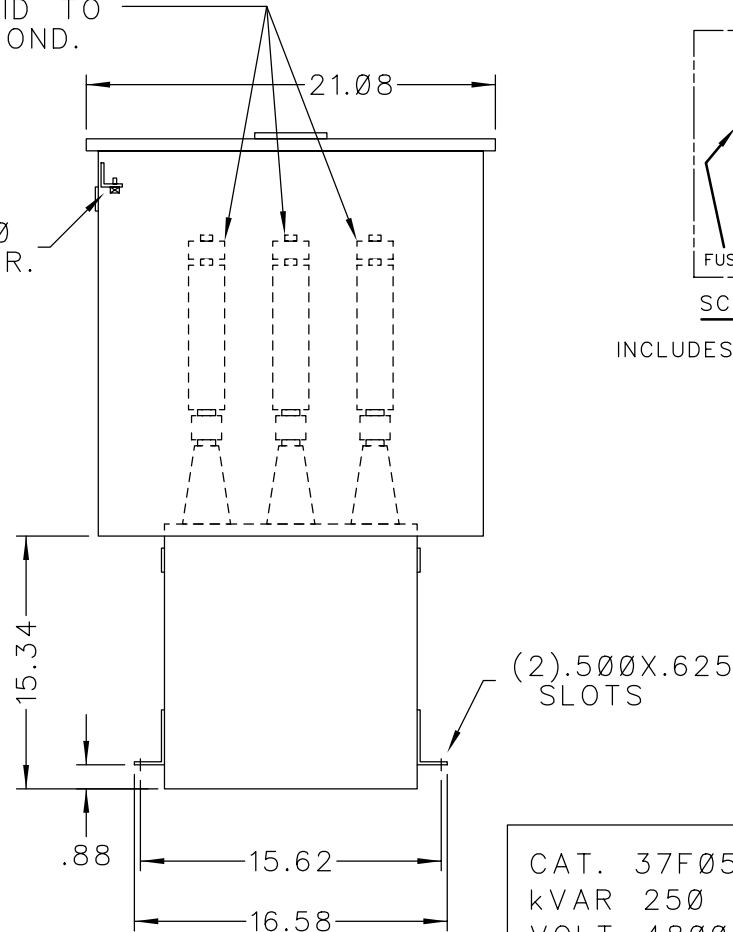


101N140
LOCATE ON
CENTER OF
COVER

SOLDERLESS CONN.
FOR #10 SOLID TO
#4 STR'D COND.



.25-20
GRD SCR.




SCHEMATIC DIAGRAM

INCLUDES DISCHARGE RESISTORS

CAT. 37F0526447 SER.NO.
kVAR 250 Hz 60 Ph 3
VOLT 4800 CONN. DELTA
DIAG
NP220452
GEH-2711

NOTE:
ADD "037" SUFFIX TO
CATALOG NO. FOR
CSA LABELED PRODUCT.

 <p>CAPACITOR & POWER PROTECTION FORT EDWARD, N.Y., U.S.A.</p>	SIZE A	APPROX. WT 103 LBS	<p>OUTLINE 37F0526447</p>	DISTR TO
	<p>DRAWN JCozzens JULY 30, 1997</p> <p>ISSUED 8-6-97</p>	SCALE		