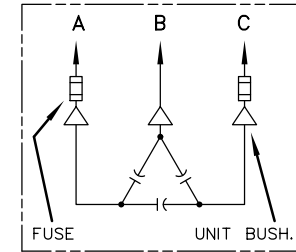
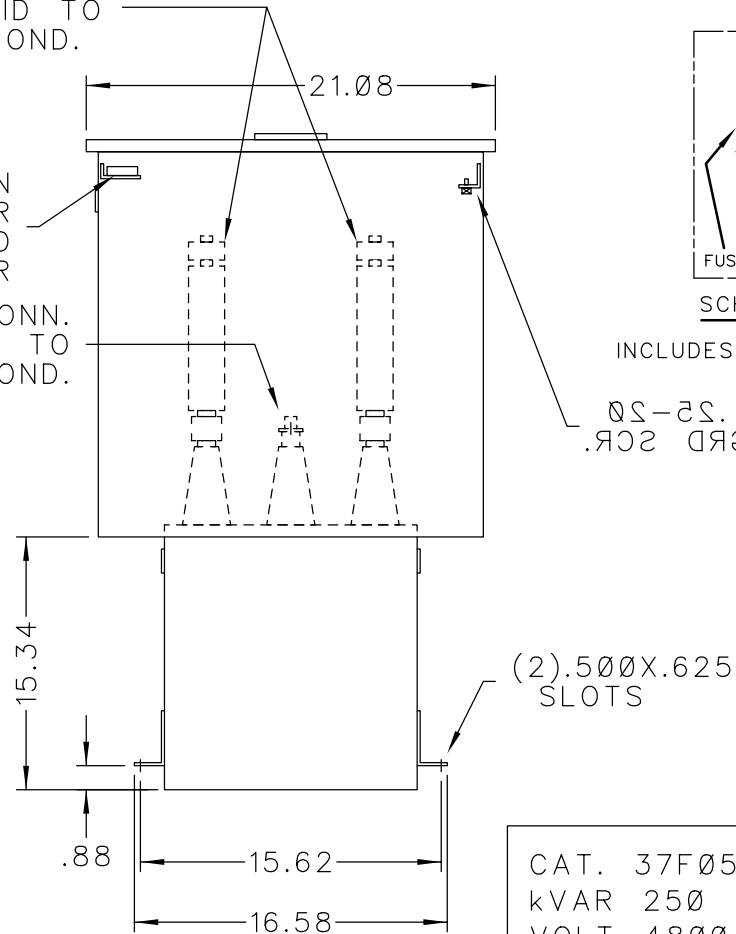


SOLDERLESS CONN.
FOR #10 SOLID TO
#4 STR'D COND.

CONNECTION
FOR USER
SUPPLIED
120V POWER

SOLDERLESS CONN.
FOR #10 SOLID TO
#2 STR'D COND.




SCHEMATIC DIAGRAM

INCLUDES DISCHARGE RESISTORS

CAT. 37F0526527 SER.NO.
kVAR 250 Hz 60 Ph 3
VOLT 4800 CONN. DELTA
DIAG
NP220452
GEH-2711

NOTE:
ADD "037" SUFFIX TO
CATALOG NO. FOR
CSA LABELED PRODUCT.

 CAPACITOR & POWER PROTECTION FORT EDWARD, N.Y., U.S.A.	SIZE A	APPROX. WT 103 LBS
	DRAWN E.McGINN ISSUED	SEPT. 16, 1998 SCALE

OUTLINE
37F0526527