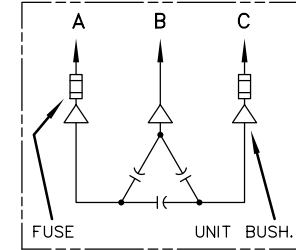
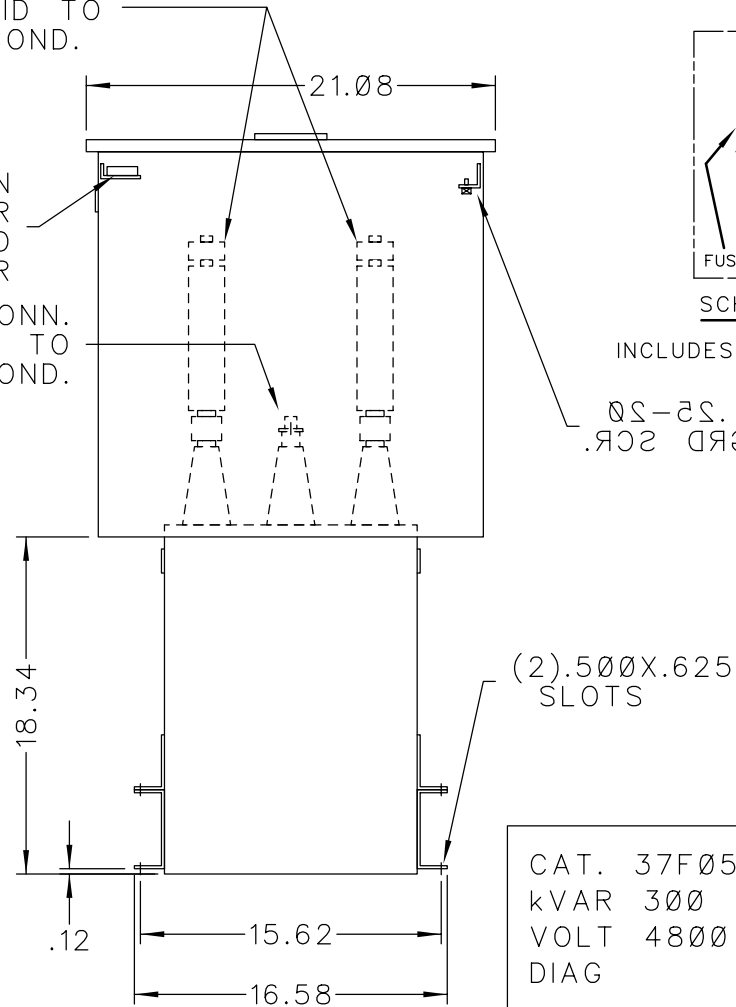


SOLDERLESS CONN.
FOR #10 SOLID TO
#4 STR'D COND.

CONNECTION
FOR USER
SUPPLIED
120V POWER

SOLDERLESS CONN.
FOR #10 SOLID TO
#2 STR'D COND.



SCHEMATIC DIAGRAM

INCLUDES DISCHARGE RESISTORS

CAT. 37F0526529 SER.NO.
kVAR 300 Hz 60 Ph 3
VOLT 4800 CONN. DELTA
DIAG
NP220452
GEH-2711

NOTE:
ADD "037" SUFFIX TO
CATALOG NO. FOR
CSA LABELED PRODUCT.

<p>CAPACITOR & POWER PROTECTION FORT EDWARD, N.Y., U.S.A.</p>	<p>SIZE A</p>	<p>APPROX. WT 114 LBS</p>
	<p>DRAWN E.McGINN</p>	<p>SEPT. 16, 1998</p>
<p>ISSUED</p>		<p>SHEET 2</p>

OUTLINE
37F0526529

DISTR TO