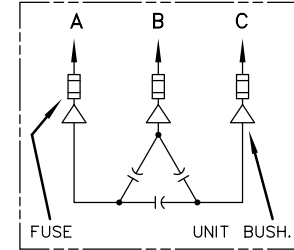
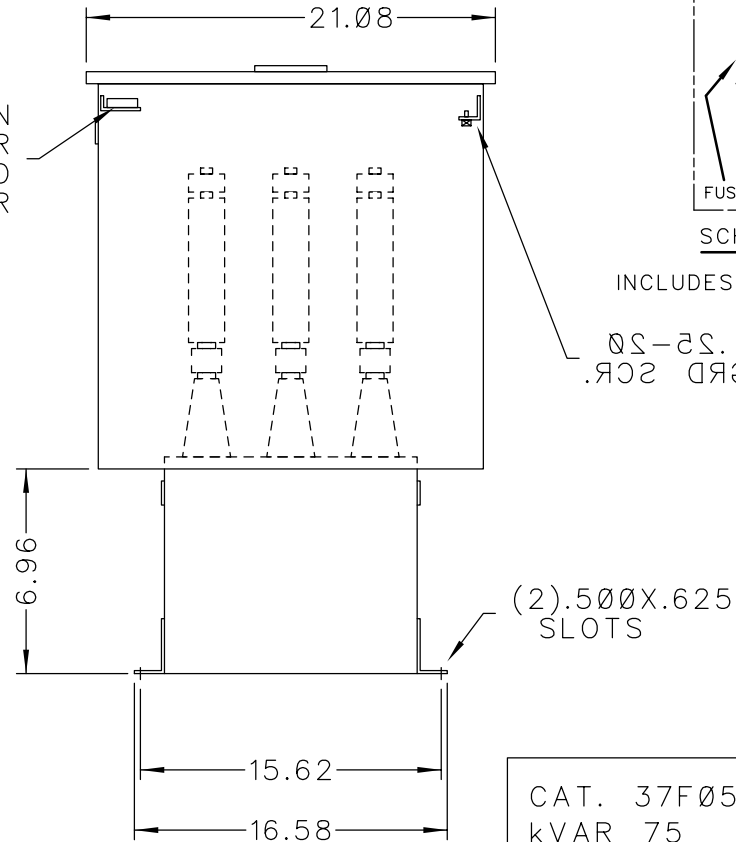


CONNECTION
FOR USER
SUPPLIED
120V POWER




SCHEMATIC DIAGRAM

INCLUDES DISCHARGE RESISTORS

0S-2S.
GRD SCR.

CAT. 37F0526533 SER.NO.
kVAR 75 Hz 60 Ph 3
VOLT 4800 CONN. DELTA
DIAG
NP220452
GEH-2711

NOTE:
ADD "037" SUFFIX TO
CATALOG NO. FOR
CSA LABELED PRODUCT.

 <p>CAPACITOR & POWER PROTECTION FORT EDWARD, N.Y., U.S.A.</p>	SIZE A	APPROX.WT 64 LBS
	SCALE	
DRAWN E.McGINN	SEPT. 16, 1998	
ISSUED		

OUTLINE
37F0526533

SHEET 2

DISTR TO