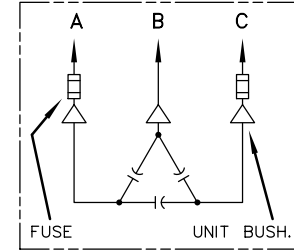
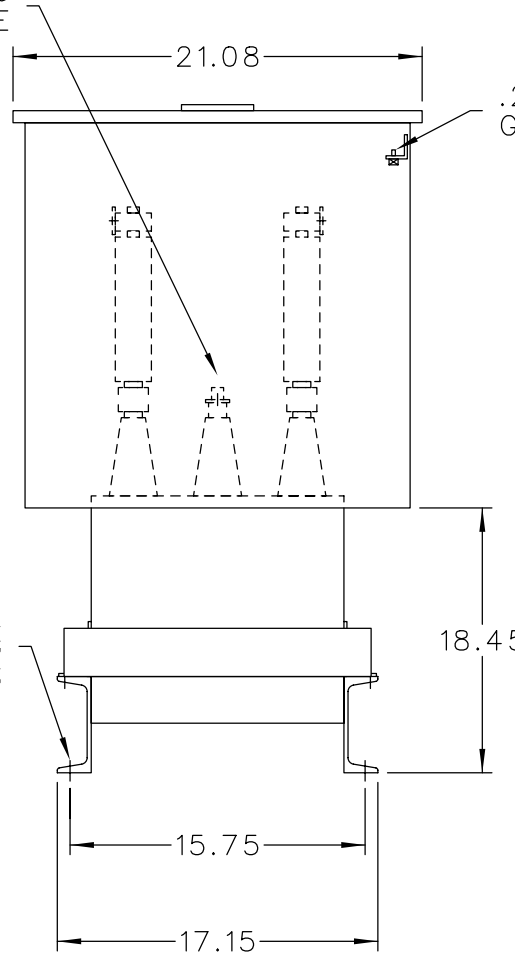


TERMINAL FOR #6
TO 25Ø MCM CABLE



SCHEMATIC DIAGRAM


INCLUDES DISCHARGE RESISTORS

CAT. 37F0527427 SER.NO.
KVAR 550 VOLT 480Ø
Hz 6Ø PH 3 CONN. DELTA
CONN. DIAG.

READ INST. GEH-2711

NP22Ø452

NOTE:
ADD "Ø37" SUFFIX TO
CATALOG NO. FOR
CSA LABELED PRODUCT.

 CAPACITOR & POWER PROTECTION FORT EDWARD, N.Y., U.S.A.	DRAWN JCozzens	JULY 3Ø, 1997
	ISSUED	

SIZE A	APPROX.WT 214 LBS.
SCALE	

OUTLINE
37F0527427

SHEET 2

DISTR TO