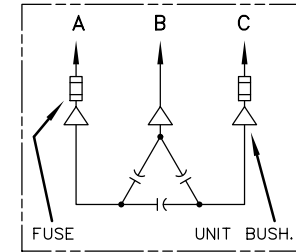
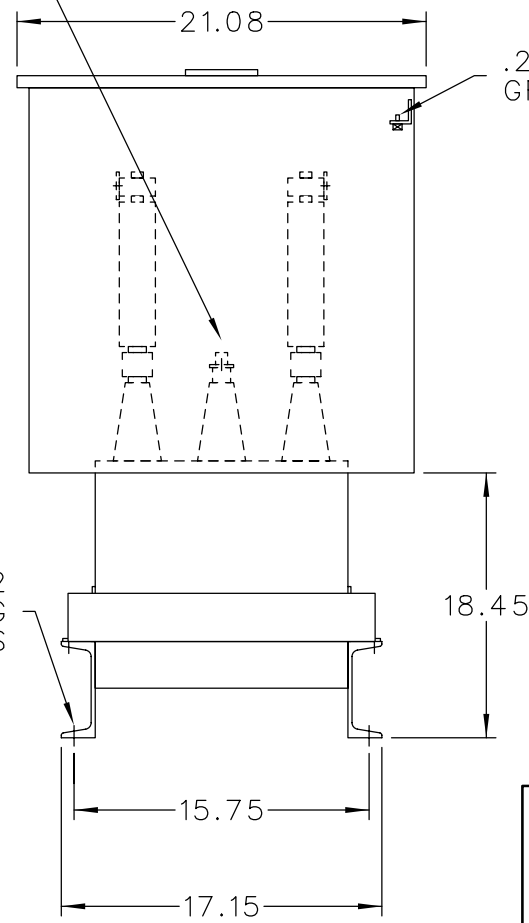


TERMINAL FOR #6  
TO 25Ø MCM CABLE



SCHEMATIC DIAGRAM

INCLUDES DISCHARGE RESISTORS

CAT. 37F0527429 SER.NO.  
KVAR 600 VOLT 480Ø  
Hz 60 PH 3 CONN. DELTA  
CONN. DIAG.

READ INST. GEH-2711

NP22Ø452

NOTE:  
ADD "Ø37" SUFFIX TO  
CATALOG NO. FOR  
CSA LABELED PRODUCT.

<p>CAPACITOR &amp; POWER PROTECTION FORT EDWARD, N.Y., U.S.A.</p>	<p>DRAWN JCozzens</p>	<p>JULY 3Ø, 1997</p>
	<p>ISSUED</p>	<p>SCALE</p>

<p>SIZE <b>A</b></p>	<p>APPROX.WT 214 LBS.</p>
<p>SCALE</p>	<p></p>

<p>OUTLINE 37F0527429</p>	<p>SHEET 2</p>
-------------------------------	--------------------

DISTR TO