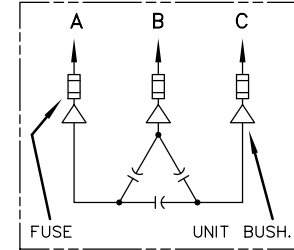
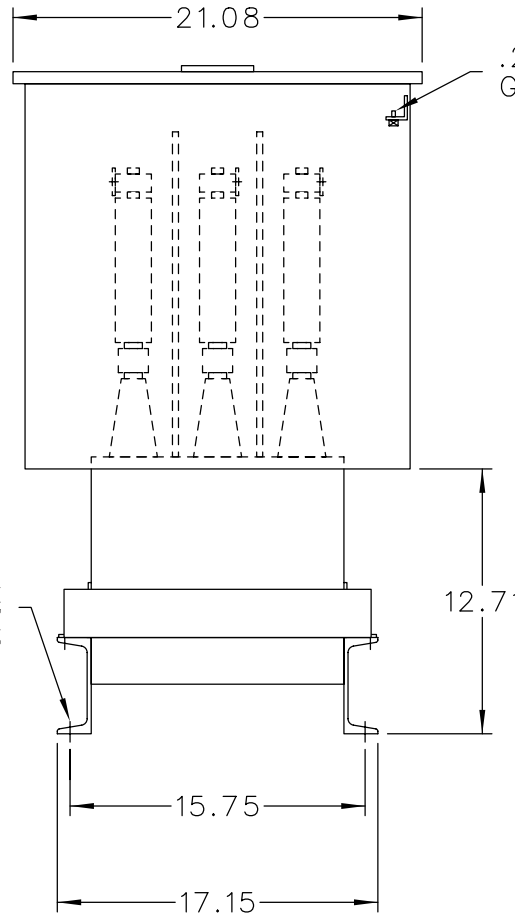
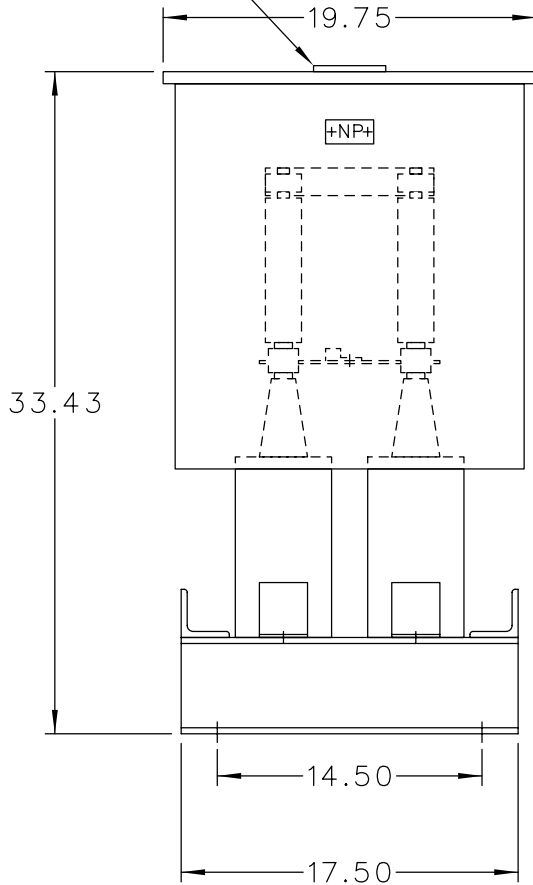


101N14Ø
LOCATE ON
CENTER OF
COVER



SCHEMATIC DIAGRAM


INCLUDES DISCHARGE RESISTORS

CAT. 37F0527439 SER.NO.
KVAR 275 VOLT 480Ø
Hz 6Ø PH 3 CONN. DELTA
CONN. DIAG.

READ INST. GEH-2711

NP220452

NOTE:
ADD "Ø37" SUFFIX TO
CATALOG NO. FOR
CSA LABELED PRODUCT.

 <p>CAPACITOR & POWER PROTECTION FORT EDWARD, N.Y., U.S.A.</p>	SIZE A	APPROX. WT 144 LBS
	DRAWN E.McGINN ISSUED	MAY 17, 1994 SCALE

OUTLINE
37F0527439

DISTR TO