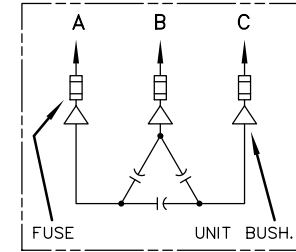
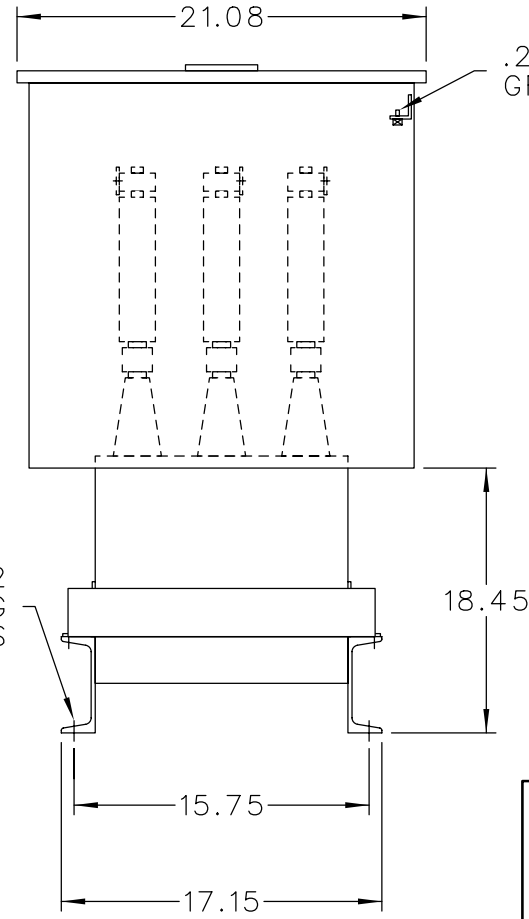


TERMINAL FOR #6  
TO 25Ø MCM CABLE



SCHEMATIC DIAGRAM

INCLUDES DISCHARGE RESISTORS

CAT. 37F0527444 SER.NO.  
KVAR 475 VOLT 480Ø  
Hz 6Ø PH 3 CONN. DELTA  
CONN. DIAG.

READ INST. GEH-2711

NP22Ø452

NOTE:  
ADD "Ø37" SUFFIX TO  
CATALOG NO. FOR  
CSA LABELED PRODUCT.

<p>CAPACITOR &amp; POWER PROTECTION FORT EDWARD, N.Y., U.S.A.</p>	SIZE <b>A</b>	APPROX. WT 192 LBS
	SCALE	
DRAWN JCozzens	JULY 3Ø, 1997	
ISSUED	8-6-97	

OUTLINE  
37F0527444

SHEET 2

DISTR TO