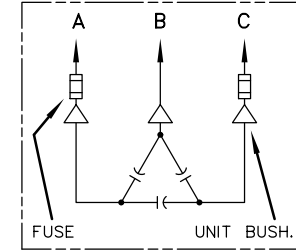
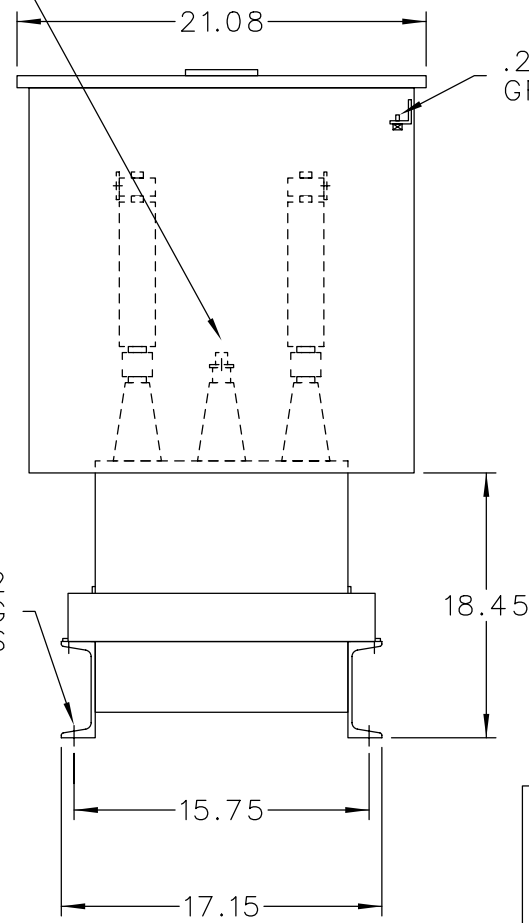


TERMINAL FOR #6
TO 250 MCM CABLE



SCHEMATIC DIAGRAM

INCLUDES DISCHARGE RESISTORS

CAT. 37F0528430 SER.NO.
KVAR 825 VOLT 4800
Hz 60 PH 3 CONN. DELTA
CONN. DIAG.

READ INST. GEH-2711

NP220452

NOTE:
ADD "037" SUFFIX TO
CATALOG NO. FOR
CSA LABELED PRODUCT.

| | | |
|---|------------------|-----------------------|
| <p>CAPACITOR & POWER PROTECTION FORT EDWARD, N.Y., U.S.A.</p> | SIZE A | APPROX. WT 331 LBS |
| | SCALE | |
| DRAWN JCozzens | JULY 30, 1997 | |
| ISSUED | | |

OUTLINE
37F0528430