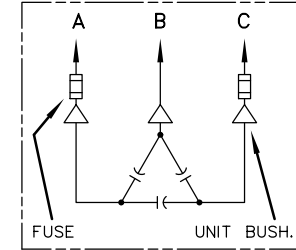
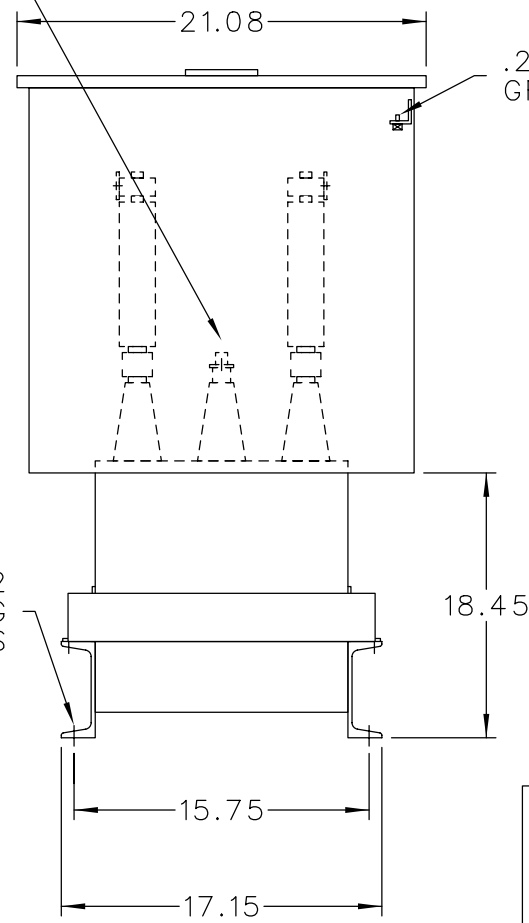


TERMINAL FOR #6
TO 250 MCM CABLE



SCHEMATIC DIAGRAM


INCLUDES DISCHARGE RESISTORS

CAT. 37F0528432 SER.NO.
KVAR 875 VOLT 4800
Hz 60 PH 3 CONN. DELTA
CONN. DIAG.

READ INST. GEH-2711

NP220452

NOTE:
ADD "037" SUFFIX TO
CATALOG NO. FOR
CSA LABELED PRODUCT.

 CAPACITOR & POWER PROTECTION FORT EDWARD, N.Y., U.S.A.	SIZE A	APPROX. WT 331 LBS
	SCALE	
DRAWN JCozzens	JULY 30, 1997	
ISSUED		

OUTLINE
37F0528432

SHEET 2

DISTR TO