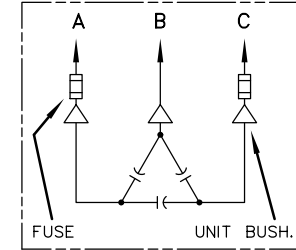
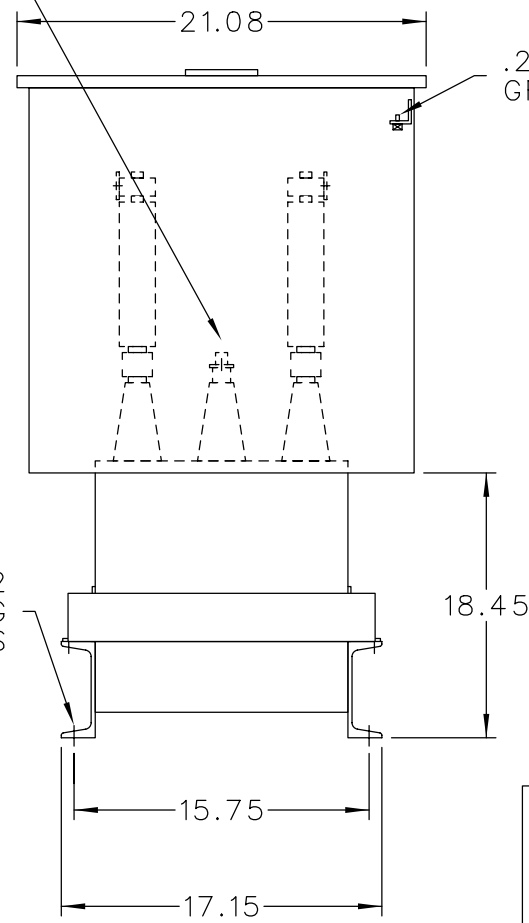


TERMINAL FOR #6
TO 250 MCM CABLE



SCHEMATIC DIAGRAM

INCLUDES DISCHARGE RESISTORS

CAT. 37F0528433 SER.NO.
KVAR 900 VOLT 4800
Hz 60 PH 3 CONN. DELTA
CONN. DIAG.

READ INST. GEH-2711

NP220452

NOTE:
ADD "037" SUFFIX TO
CATALOG NO. FOR
CSA LABELED PRODUCT.

| | | |
|---|--------------------------|-------------------------------|
| <p>CAPACITOR & POWER PROTECTION FORT EDWARD, N.Y., U.S.A.</p> | <p>SIZE A</p> | <p>APPROX. WT 331 LBS</p> |
| | <p>DRAWN JCozzens</p> | |
| <p>JULY 30, 1997</p> | <p>ISSUED</p> | <p>SHEET 2</p> |

OUTLINE
37F0528433

DISTR TO