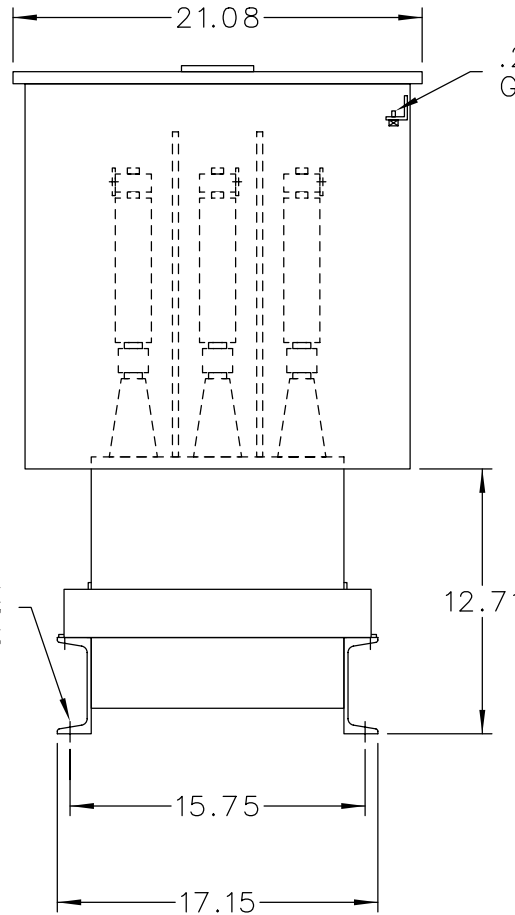
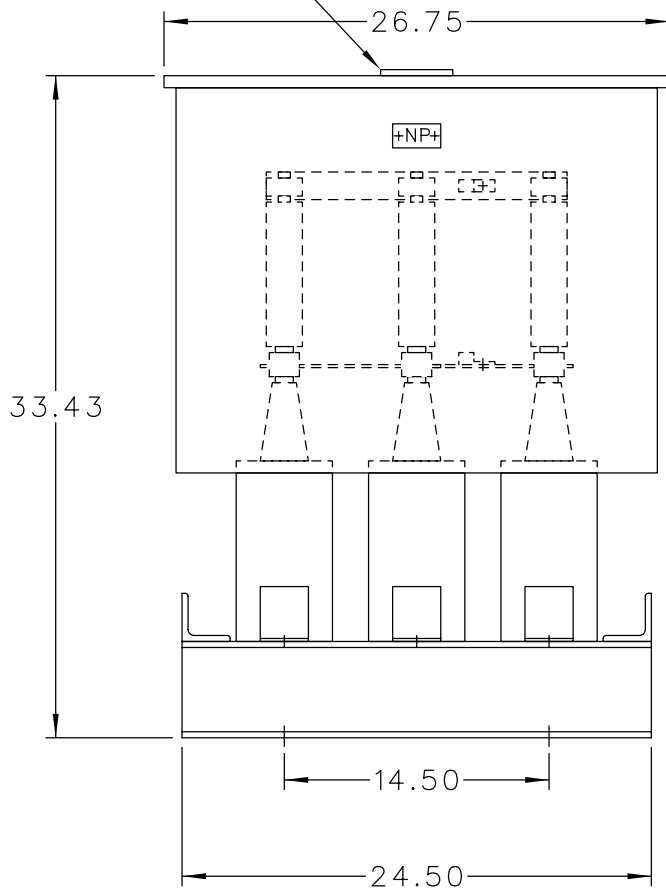
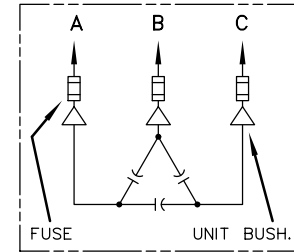


1Ø1N14Ø
LOCATE ON
CENTER OF
COVER



.25-20
GRD SCR.



SCHEMATIC DIAGRAM


INCLUDES DISCHARGE RESISTORS

CAT. 37F0528437 SER.NO.
KVAR 550 VOLT 480Ø
Hz 6Ø PH 3 CONN. DELTA
CONN. DIAG.

READ INST. GEH-2711

NP22Ø452

NOTE:
ADD "Ø37" SUFFIX TO
CATALOG NO. FOR
CSA LABELED PRODUCT.

 CAPACITOR & POWER PROTECTION FORT EDWARD, N.Y., U.S.A.	SIZE A	APPROX. WT 242 LBS
	SCALE	
DRAWN E. McGINN	MAY 18, 1994	
ISSUED		

OUTLINE
37F0528437

SHEET 2

DISTR TO