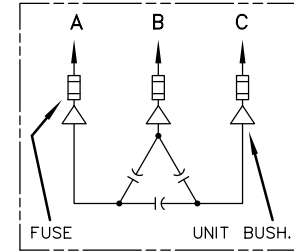
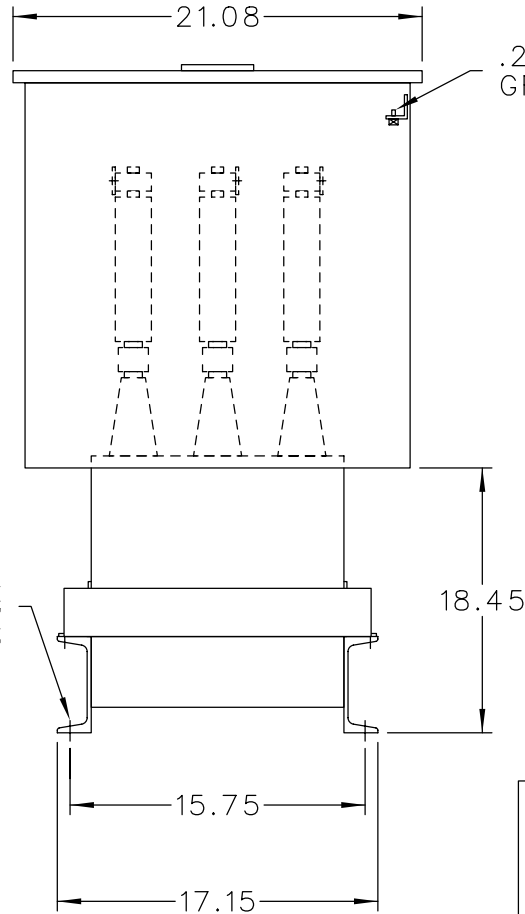
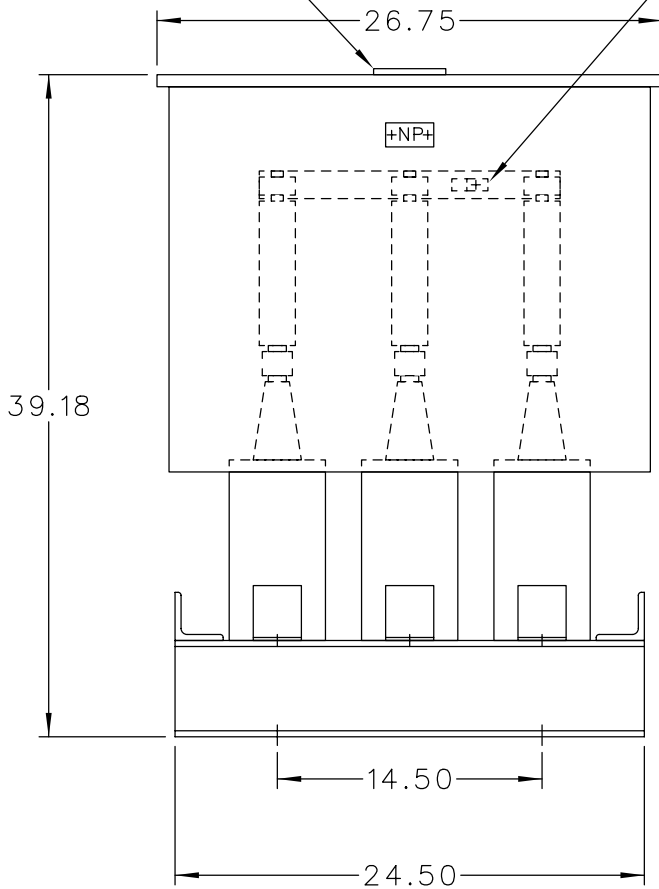


1Ø1N14Ø
LOCATE ON
CENTER OF
COVER

TERMINAL FOR #6
TO 25Ø MCM CABLE



SCHEMATIC DIAGRAM


INCLUDES DISCHARGE RESISTORS

CAT. 37F0528452 SER.NO.
KVAR 875 VOLT 480Ø
Hz 6Ø PH 3 CONN. DELTA
CONN. DIAG.

READ INST. GEH-2711

NP22Ø452

NOTE:
ADD "Ø37" SUFFIX TO
CATALOG NO. FOR
CSA LABELED PRODUCT.

 <p>CAPACITOR & POWER PROTECTION FORT EDWARD, N.Y., U.S.A.</p>	SIZE A	APPROX. WT 331 LBS
	DRAWN JCozzens ISSUED 8-6-97	AUGUST 5, 1997

OUTLINE
37F0528452

SHEET 2

DISTR TO