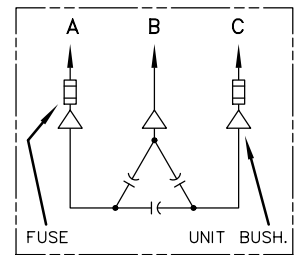
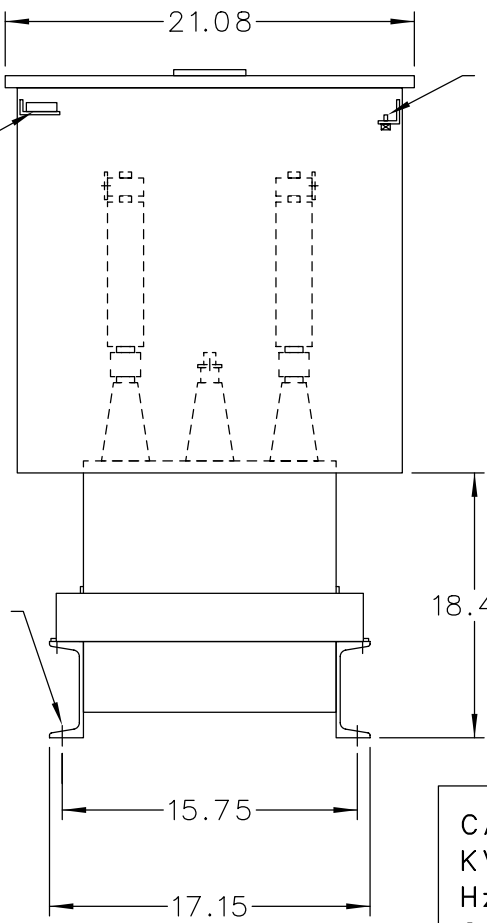


CONNECTION
FOR USER
SUPPLIED
120V POWER

BLOWN FUSE
INDICATING
LIGHTS

TERMINAL FOR
#6 TO 250
MCM CABLE



SCHEMATIC DIAGRAM

INCLUDES DISCHARGE RESISTORS

CAT. 37F0528529 SER. NO.
KVAR 800 VOLT 4800
Hz 60 PH 3 CONN. DELTA
CONN. DIAG.

READ INST. GEH-2711

NP220452

NOTE:
ADD "037" SUFFIX TO
CATALOG NO. FOR
CSA LABELED PRODUCT.

| | | |
|--------|---|---------------|
| | CAPACITOR & POWER PROTECTION FORT EDWARD, N.Y., U.S.A. | |
| | DRAWN E. McGINN | OCT. 23, 1998 |
| ISSUED | SCALE | |

| | |
|------------------|-----------------------|
| SIZE A | APPROX. WT 320 LBS |
| SCALE | |

| | |
|------------------------------|------------|
| OUTLINE 37F0528529 | SHEET 2 |
| DISTR TO | |