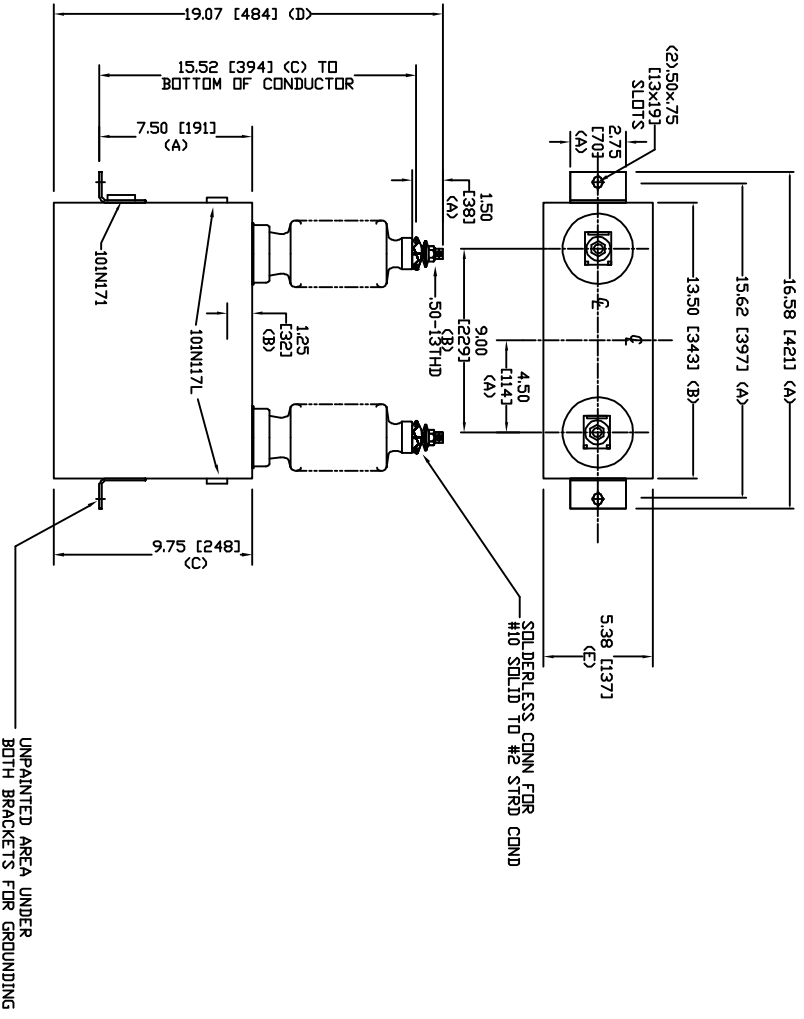


SIZE	DWG. NO.	SHT	REV
A	S1L201WC10	2	0
REV	DESCRIPTION	DATE	APPROVED
0	New	5/23/2005	



TOL	in.	mm
A	.06	1.5
B	.12	3.0
C	.18	4.6
D	.25	6.4
E	+.5/-1	+13/-25

2400 V 1 PH 95 KVBL
 50 KVAR CAT. S1L201WC10
 1.35 GAL MFG DATE
 101N171 READ GEH-2743

GE ENERGY
FORT EDWARD, N.Y., U.S.A.

DRAWN ACAD VBA DATE 10/7/2010
 ISSUED RAH DATE 10/7/2010

SIZE **A** WEIGHT 34.2 lbs 15.5 kg
 SCALE

OUTLINE
S1L201WC10

SHEET 2 OF 3