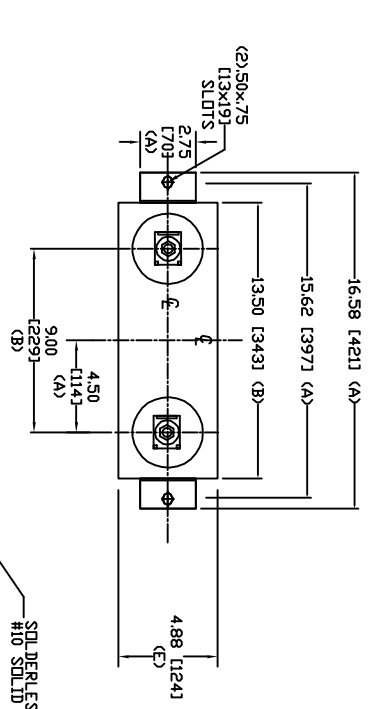
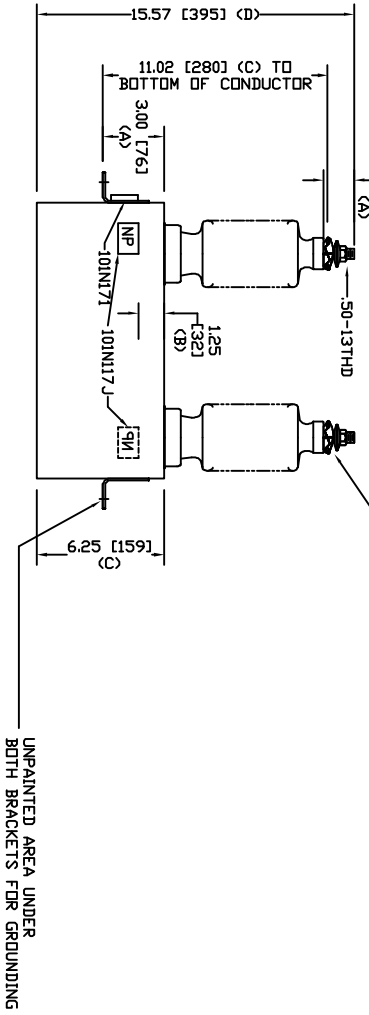


SIZE	DWG. NO.	SHT	REV
A	SIL201WC62	2	0
REV	DESCRIPTION	DATE	APPROVED
0	New	9/20/2005	



TOL	in.	mm
A	.06	1.5
B	.12	3.0
C	.18	4.6
D	.25	6.4
E	+5/-1	+13/-25



2400 V 1 PH 95 KV/BIL
 50 KVAR 60 HZ
 CAT. SIL201WC62
 1.04 GAL
 MFG DATE
 101N171 READ GEH-2743



INDUSTRIAL SYSTEMS
 FORT EDWARD, N.Y., U.S.A.

DRAWN	ACAD VBA	DATE
ISSUED		DATE

SIZE	WEIGHT	OUTLINE SIL201WC62
A	23.8 lbs 10.8 kg	
SCALE		SHEET 2 OF 3