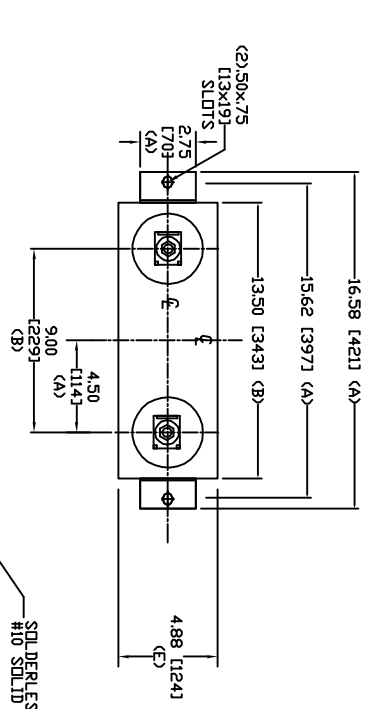
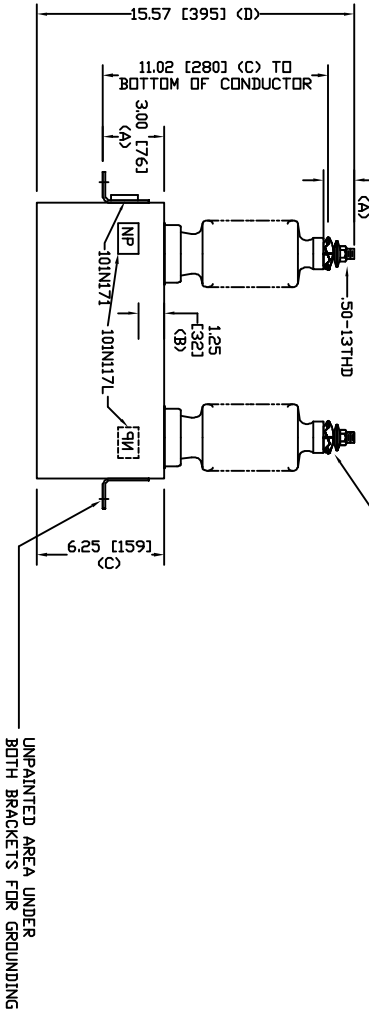


SIZE	DWG. NO.	SHT	REV
A	SIL204WC60	2	0
REV	DESCRIPTION	DATE	APPROVED
0	New	7/28/2006	



TOL	in.	mm
A	.06	1.5
B	.12	3.0
C	.18	4.6
D	.25	6.4
E	+.5/-1	+13/-25



4800 V 1 PH 95 KV/BIL
 50 KVAR 60 HZ
 CAT. SIL204WC60
 1.03 GAL
 MFG DATE
 101N171 READ GEH-2743

GE ENERGY FORT EDWARD, N.Y., U.S.A.		SIZE	WEIGHT	OUTLINE SIL204WC60	SHEET	CGNT
DRAWN	ACAD VBA	A	20.1 lbs 9.1 kg		2	3
ISSUED	RAH	DATE	DATE	SCALE		
		4/1/2010	4/1/2010			