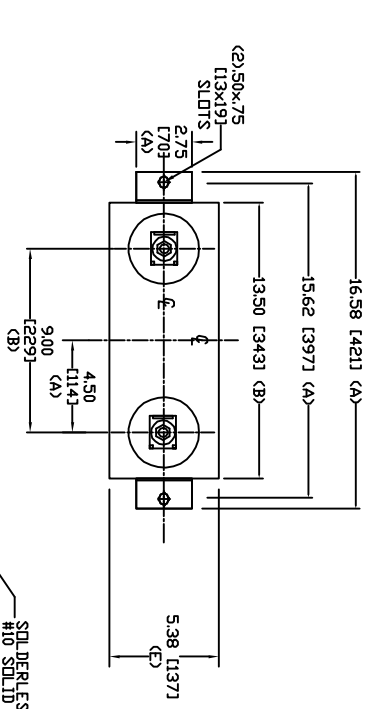
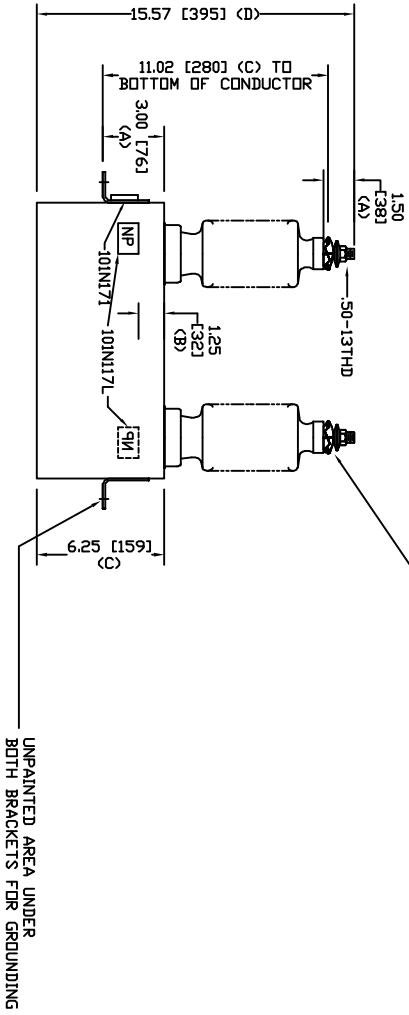



SIZE	DWG. NO.	SHT	REV
A	SIL207WC60	2	0
REV	DESCRIPTION	DATE	APPROVED
0	New	10/27/2005	



TOL	in.	mm
A	.06	1.5
B	.12	3.0
C	.18	4.6
D	.25	6.4
E	+5/-1	+13/-25



7620 V 1 PH 95 KV/BIL
 50 KVAR 60 HZ
 CAT. SIL207WC60
 1.15 GAL
 MFG DATE
 101N171 READ GEH-2743


GE ENERGY
FORT EDWARD, N.Y., U.S.A.

DRAWN	ACAD VBA	DATE	2/26/2010
ISSUED	RAH	DATE	2/26/2010

SIZE **A** WEIGHT 22.2 lbs 10.1 kg
 SCALE
OUTLINE
SIL207WC60

SHEET	2	TOTAL	3
-------	---	-------	---