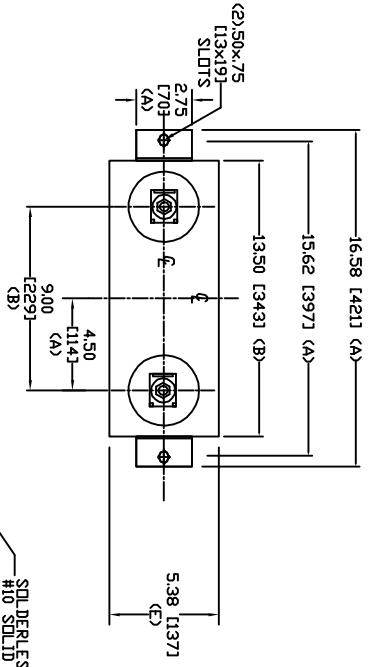
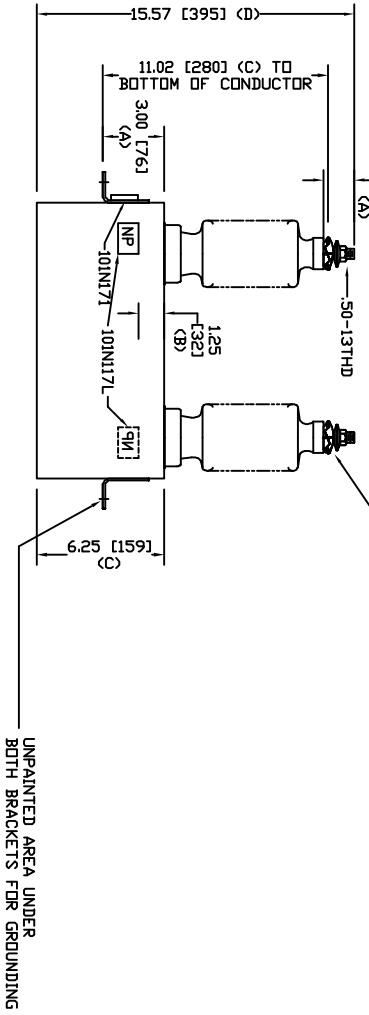


SIZE	DWG. NO.	SHT	REV
A	SIL208WC60	2	0
REV	DESCRIPTION	DATE	APPROVED
0	New	2/9/2006	



TOL	in.	mm
A	.06	1.5
B	.12	3.0
C	.18	4.6
D	.25	6.4
E	+5/-1	+13/-25



UNPAINTED AREA UNDER BOTH BRACKETS FOR GROUNDING

SOLDERLESS CONN. FOR #10 SOLDER TO #2 STRD COND

7960 V 1 PH 95 KV/BIL
 50 KVAR 60 HZ
 CAT. SIL208WC60
 1.15 GAL
 MFG DATE
 101N171 READ GEH-2743

GE ENERGY
 FORT EDWARD, N.Y., U.S.A.

GE Logo

SIZE A

WEIGHT 22.1 lbs
 10 kg

OUTLINE
 SIL208WC60

DRAWN ACAD VBA DATE 4/3/2010

ISSUED RAH DATE 4/3/2010

SHEET 2 OF 3