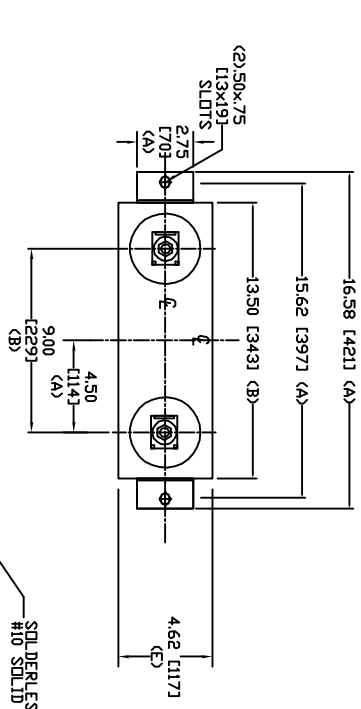
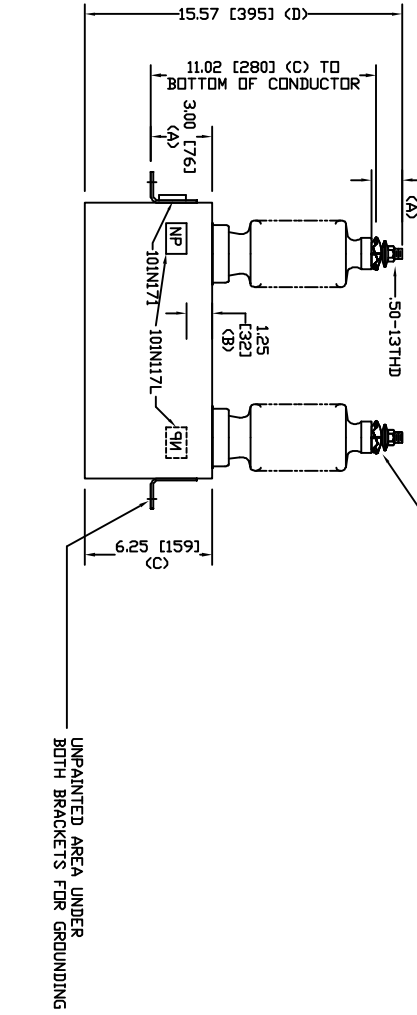


SIZE	DWG. NO.	SHT	REV
A	S1L210WC60	2	0
REV	DESCRIPTION	DATE	APPROVED
0	New	4/7/2006	



TOL	in.	mm
A	.06	1.5
B	.12	3.0
C	.18	4.6
D	.25	6.4
E	+.5/-1	+13/-25



13280 V 1 PH 95 KVBL
 50 KVAR 60 HZ
 CAT. S1L210WC60
 0.97 GAL
 MFG DATE
 101N171 READ GEH-2743

GE ENERGY FORT EDWARD, N.Y., U.S.A.		SIZE	WEIGHT	OUTLINE S1L210WC60
DRAWN	ACAD VBA	A	19.6 lbs 8.9 kg	
ISSUED	RAH	SCALE		SHEET 2
DATE	DATE			CGNT 3
4/3/2010	4/3/2010			