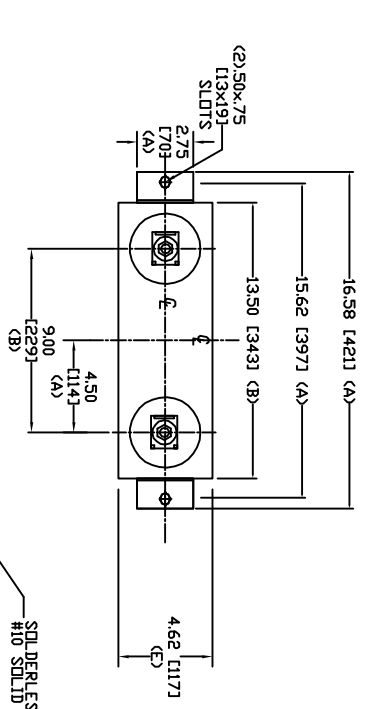
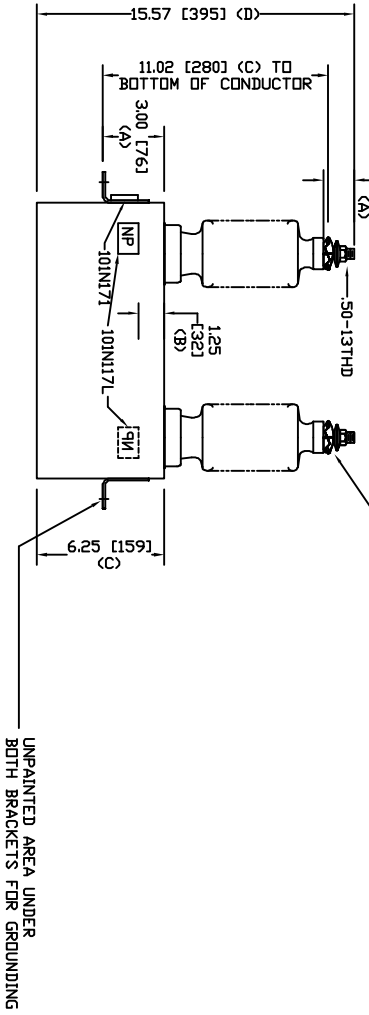


SIZE	DWG NO	SHT	REV
A	S1L211WC60	2	0
REV	DESCRIPTION	DATE	APPROVED
0	New	4/7/2006	



TOL	in.	mm
A	.06	1.5
B	.12	3.0
C	.18	4.6
D	.25	6.4
E	+5/-1	+13/-25



13800 V 1 PH 95 KVBL
 50 KVAR 60 HZ
 CAT. S1L211WC60
 0.97 GAL
 MFG DATE
 101N171 READ GEH-2743

GE ENERGY FORT EDWARD, N.Y., U.S.A.		SIZE	A
DRAWN	ACAD VBA	WEIGHT	19.6 lbs 8.9 kg
ISSUED	RAH	SCALE	
DATE	4/3/2010	OUTLINE S1L211WC60	
DATE	4/3/2010		
SHEET	2	CNT	3