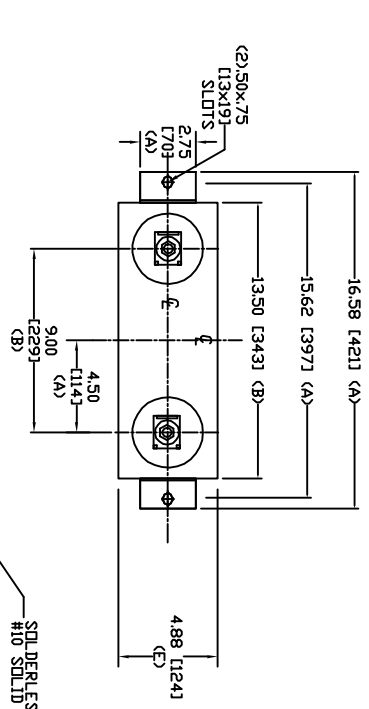
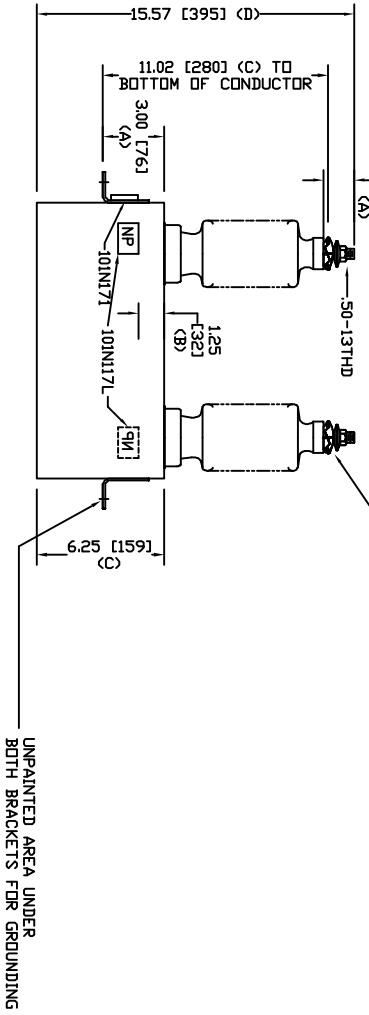


SIZE	DWG. NO.	SHT	REV
A	S1L215WC60	2	0
REV	DESCRIPTION	DATE	APPROVED
0	New	7/12/2006	



TOL	in.	mm
A	.06	1.5
B	.12	3.0
C	.18	4.6
D	.25	6.4
E	+.5/-1	+13/-25



8320 V 1 PH 95 KV/BIL  
 50 KVAR 60 HZ  
 CAT. S1L215WC60  
 1.03 GAL  
 MFG DATE  
 101N171 READ GEH-2743

<b>GE ENERGY</b> <b>FORT EDWARD, N.Y., U.S.A.</b>		SIZE	WEIGHT	<b>OUTLINE</b> <b>S1L215WC60</b>	SHEET	CGNT
DRAWN	ACAD VBA	A	20.5 lbs 9.3 kg		2	DN
ISSUED	RAH	DATE	DATE			
		4/3/2010	4/3/2010			