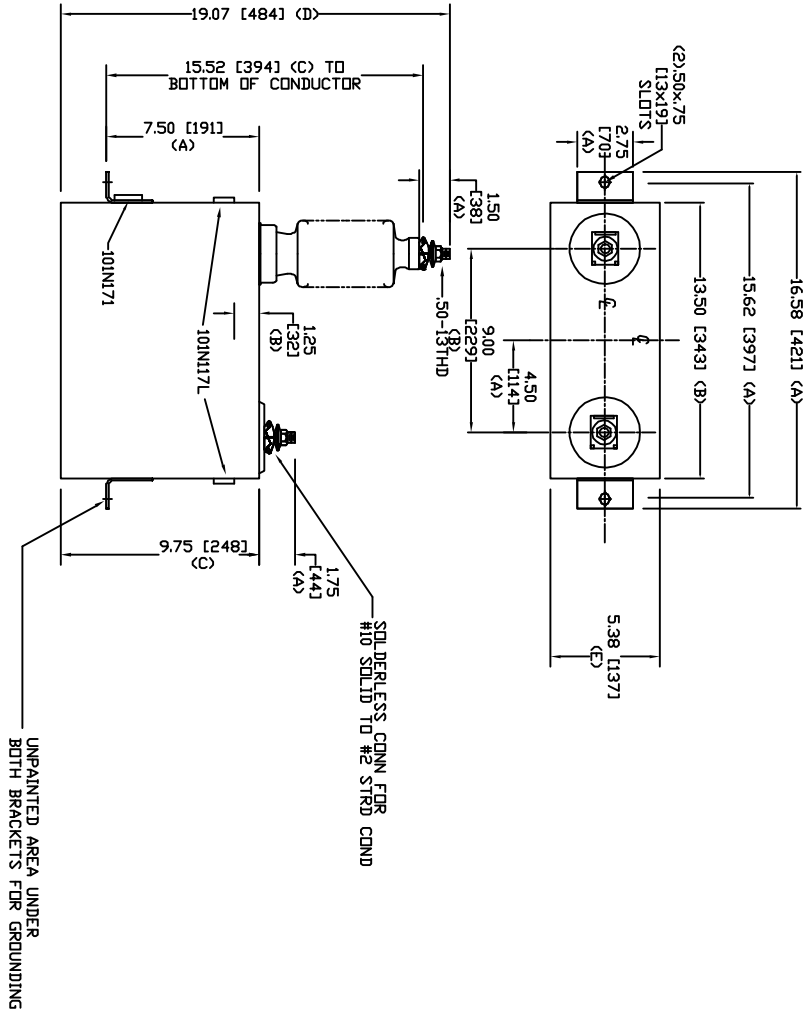


SIZE	DWG. NO.	SHT	REV
A	S1L221WC10	2	0
REV	DESCRIPTION	DATE	APPROVED
0	New	5/23/2005	



TOL	in.	mm
A	.06	1.5
B	.12	3.0
C	.18	4.6
D	.25	6.4
E	+.5/-1	+13/-25

2400 V 1 PH 95 KVBL  
 50 KVAR  
 CAT. S1L221WC10  
 1.35 GAL  
 MFG DATE  
 101N171 READ GEH-2743

<b>GE ENERGY</b> FORT EDWARD, N.Y., U.S.A.		SIZE	A
DRAWN	ACAD VBA	WEIGHT	34.3 lbs 15.6 kg
ISSUED	RAH	SCALE	
DATE	10/7/2010	<b>OUTLINE</b> S1L221WC10	
DATE	10/7/2010		
SHEET	2	CNT	3