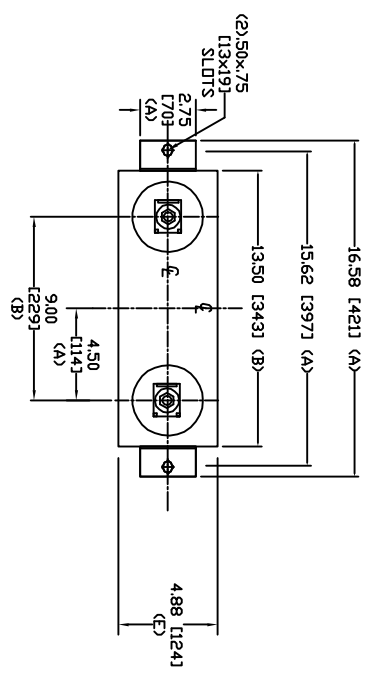
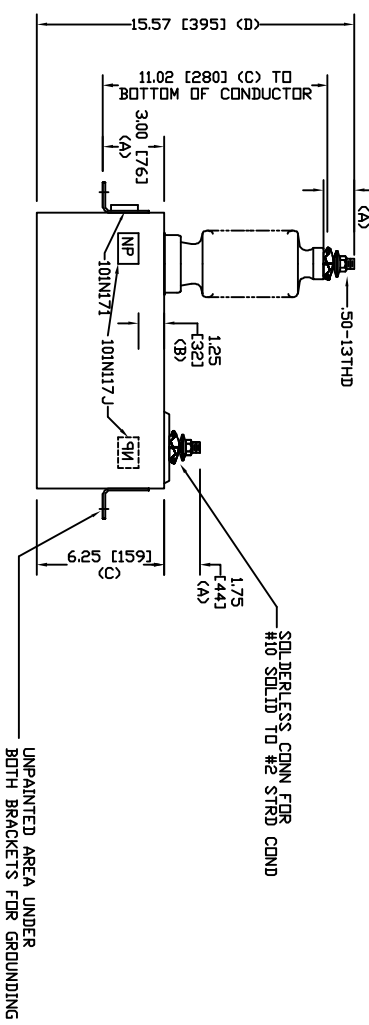


SIZE	DWG NO	SHT	REV
A	SIL221WC62	2	0
REV	DESCRIPTION	DATE	APPROVED
0	New	9/20/2005	



TOL	in.	mm
A	.06	1.5
B	.12	3.0
C	.18	4.6
D	.25	6.4
E	+5/-1	+13/-25



2400 V 1 PH 95 KVBL
 50 KVAR 60 HZ
 CAT. SIL221WC62
 1.04 GAL
 MFG DATE
 101N171 READ GEH-2743



INDUSTRIAL SYSTEMS
 FORT EDWARD, N.Y., U.S.A.

DRAWN ACAD VBA DATE 9/21/99
 ISSUED RAH DATE 9/21/99

SIZE A
 WEIGHT 23.9 lbs
 10.9 kg

OUTLINE
 SHEET 2 OF 3
 CNT 3