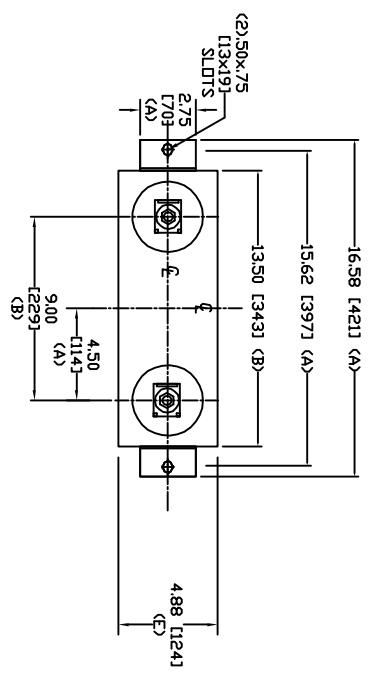
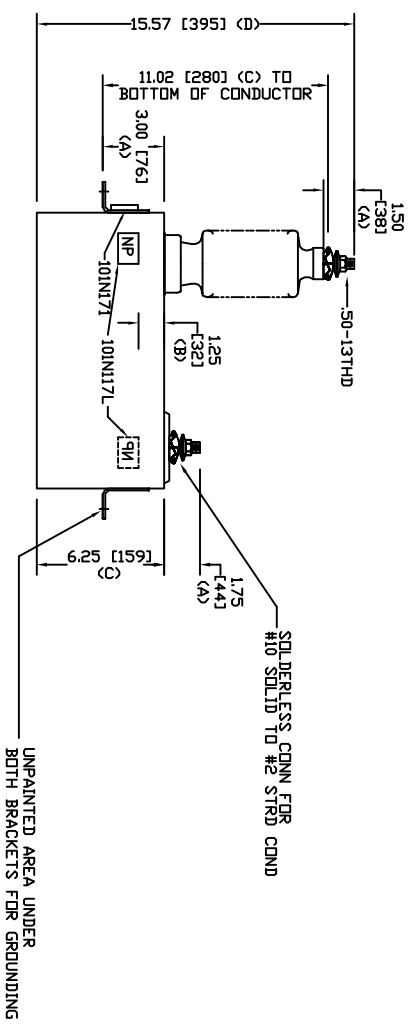


SIZE	DWG. NO.	SHT	REV
A	SIL222WC59	2	0
REV	DESCRIPTION	DATE	APPROVED
0	New	4/26/2006	



TOL	in.	mm
A	.06	1.5
B	.12	3.0
C	.18	4.6
D	.25	6.4
E	+5/-1	+13/-25



2770 V 1 PH 95 KV/BIL
 50 KVAR 60 HZ
 CAT. SIL222WC59
 1.09 GAL
 MFG DATE
 101N171 READ GEH-2743



INDUSTRIAL SYSTEMS
 FORT EDWARD, N.Y., U.S.A.

DRAWN	ACAD VBA	DATE	8/20/2008
ISSUED	RAH	DATE	8/20/2008

SIZE	WEIGHT	OUTLINE
A	20.1 lbs	
SCALE	9.1 kg	SHEET 2
		CGNT 3