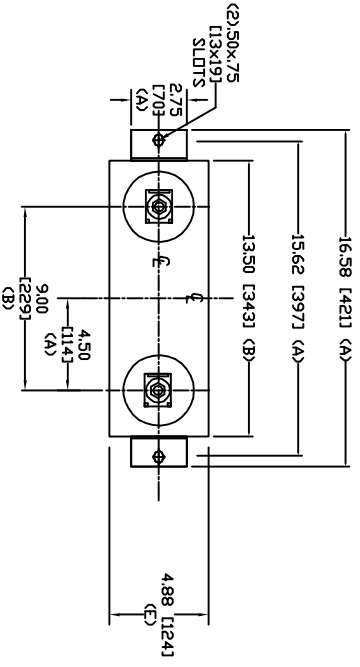
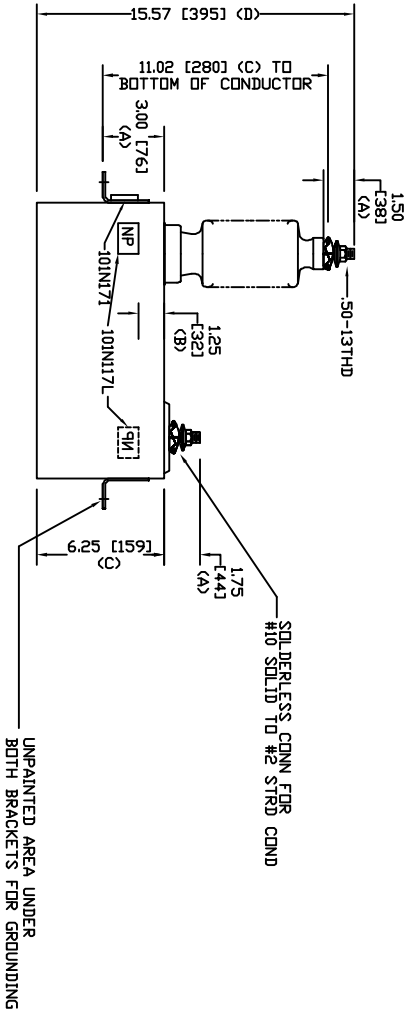


SIZE	DWG. NO.	SHT	REV
A	SIL226WC60	2	0
REV	DESCRIPTION	DATE	APPROVED
0	New	10/20/2005	



TOL	in.	mm
A	.06	1.5
B	.12	3.0
C	.18	4.6
D	.25	6.4
E	+5/-1	+13/-25



7200 V 1 PH 95 KV/BIL
 50 KVAR 60 HZ
 CAT. SIL226WC60
 1.05 GAL
 MFG DATE
 101N171 READ GEH-2743



GE ENERGY
 FORT EDWARD, N.Y., U.S.A.

DRAWN ACAD VBA DATE 2/19/2010
 ISSUED RAH DATE 2/19/2010

SIZE A
 WEIGHT 20.3 lbs
 9.2 kg

OUTLINE
 SHEET 2
 CNT 3