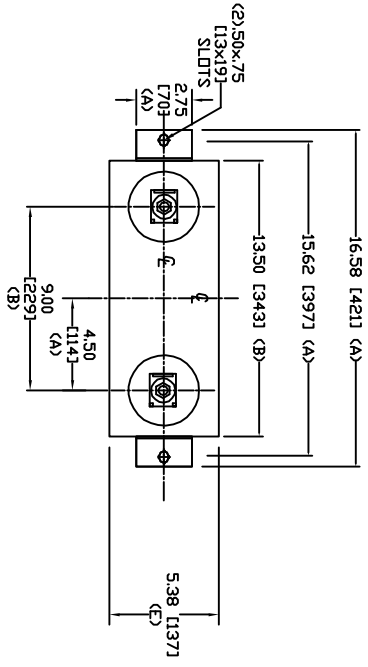
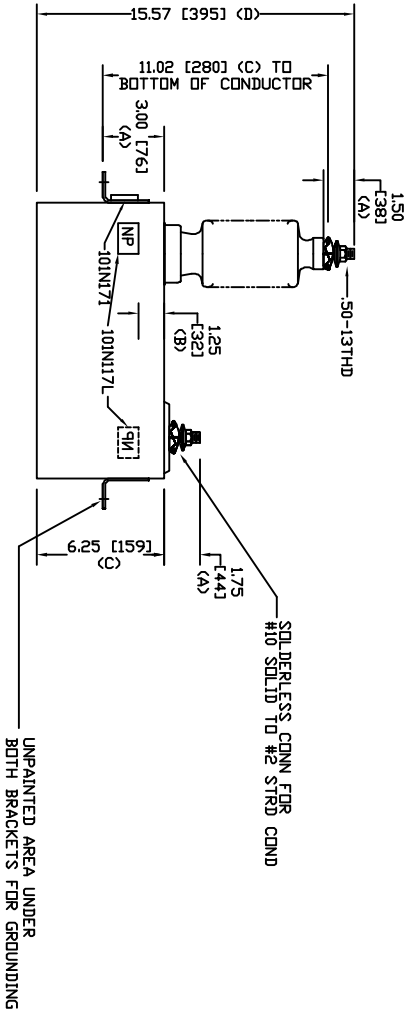


SIZE	DWG NO	SHT	REV
A	S1L227WC60	2	0
REV	DESCRIPTION	DATE	APPROVED
0	New	10/27/2005	



TOL	in.	mm
A	.06	1.5
B	.12	3.0
C	.18	4.6
D	.25	6.4
E	+.5/-1	+13/-25



7620 V 1 PH 95 KV/BIL
 50 KVAR 60 HZ
 CAT. S1L227WC60
 1.15 GAL
 MFG DATE
 101N171 READ GEH-2743



GE ENERGY
 FORT EDWARD, N.Y., U.S.A.

DRAWN ACAD VBA DATE 4/1/2010
 ISSUED RAH DATE 4/1/2010

SIZE A
 WEIGHT 22.2 lbs
 10.1 kg

OUTLINE
 S1L227WC60

SHEET 2
 CNT 3