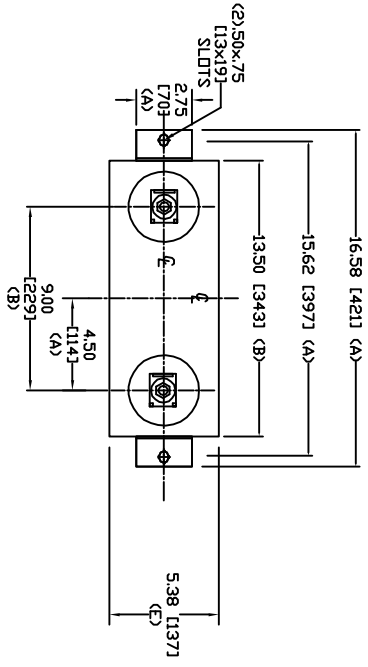
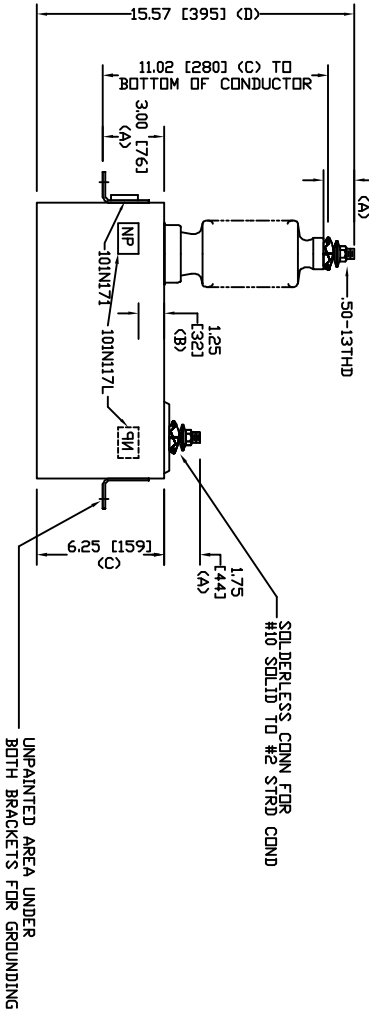


SIZE	DWG NO	SHT	REV
A	S1L228WC60	2	0
REV	DESCRIPTION	DATE	APPROVED
0	New	2/9/2006	



TOL	in.	mm
A	.06	1.5
B	.12	3.0
C	.18	4.6
D	.25	6.4
E	+5/-1	+13/-25



7960 V 1 PH 95 KV/BIL  
 50 KVAR 60 HZ  
 CAT. S1L228WC60  
 1.15 GAL  
 MFG DATE  
 101N171 READ GEH-2743



GE ENERGY  
 FORT EDWARD, N.Y., U.S.A.

DRAWN ACAD VBA DATE 3/10/2010  
 ISSUED RAH DATE 3/10/2010

SIZE A  
 WEIGHT 22.2 lbs  
 10.1 kg

OUTLINE  
 S1L228WC60  
 SHEET 2 CNT 3