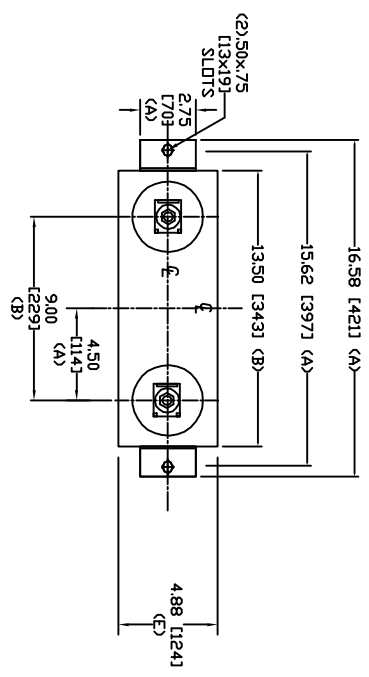
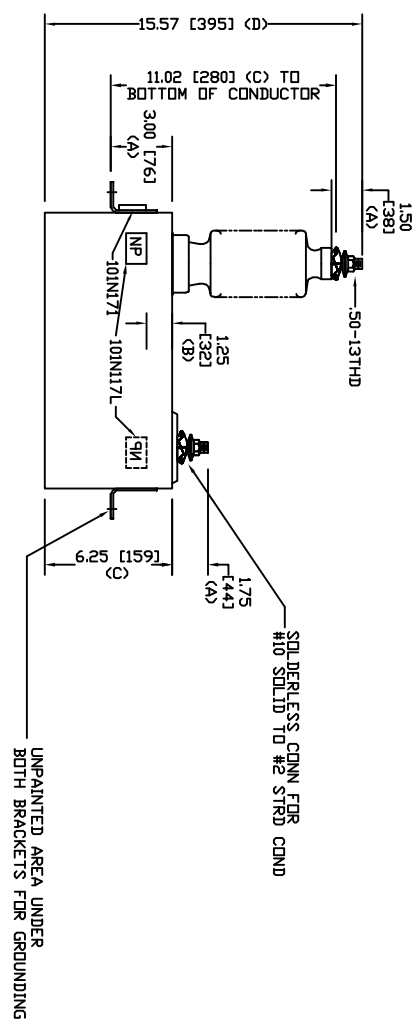


SIZE	DWG. NO.	SHT	REV
A	S1L229WC60	2	0
REV	DESCRIPTION	DATE	APPROVED
0	New	2/23/2006	



TOL	in.	mm
A	.06	1.5
B	.12	3.0
C	.18	4.6
D	.25	6.4
E	+5/-1	+13/-25



UNPAINTED AREA UNDER BOTH BRACKETS FOR GROUNDING

SOLDERLESS CONN. FOR #10 SOLID TO #2 STRD COND

12470 V 1 PH 95 KV/BIL
 50 KVAR 60 HZ
 CAT. S1L229WC60
 1.03 GAL
 MFG DATE
 101N171 READ GEH-2743



GE ENERGY
 FORT EDWARD, N.Y., U.S.A.

SIZE	WEIGHT	DUTLINE	SHEET 2	CNT 3
A	20.6 lbs 9.4 kg			
SCALE	DATE	ISSUED	DATE	DATE
	4/3/2010	RAH	4/3/2010	4/3/2010
DRAWN ACAD VBA		DISTR. TO 201		