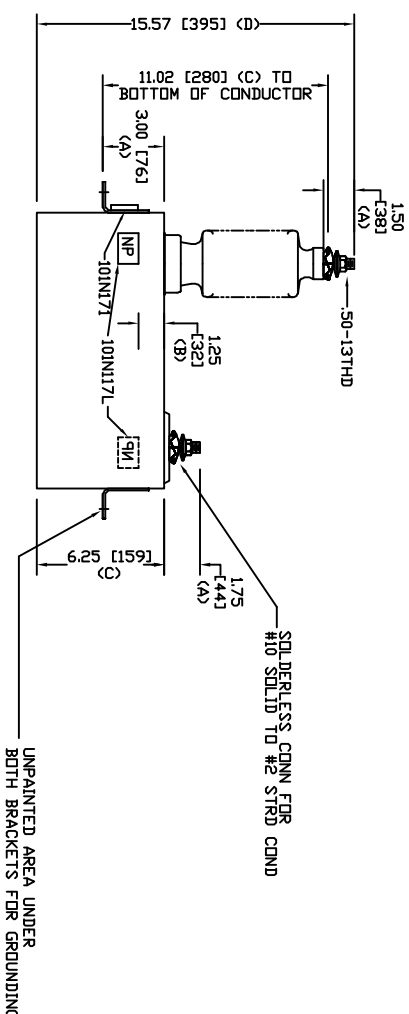
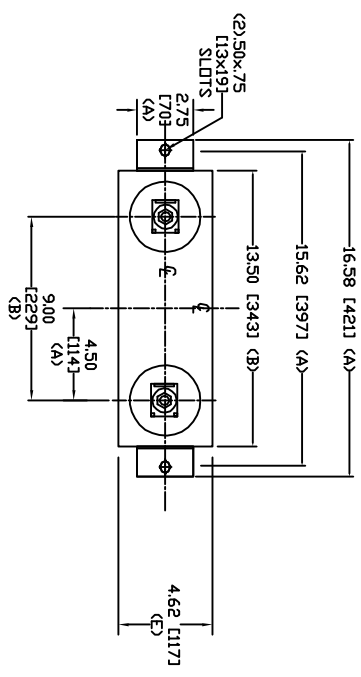


SIZE	DWG. NO.	SHT	REV
A	S1L230WC60	2	0
REV	DESCRIPTION	DATE	APPROVED
0	New	4/7/2006	



TOL	in.	mm
A	.06	1.5
B	.12	3.0
C	.18	4.6
D	.25	6.4
E	+.5/-1	+13/-25

13280 V 1 PH 95 KV/BIL
 50 KVAR 60 HZ
 CAT. S1L230WC60
 0.97 GAL
 MFG DATE
 101N171 READ GEH-2743

GE ENERGY FORT EDWARD, N.Y., U.S.A.		SIZE	A	WEIGHT	19.7 lbs 9 kg	OUTLINE S1L230WC60
DRAWN	ACAD VBA	SCALE				
ISSUED	RAH	DATE	4/3/2010			SHEET 2
		DATE	4/3/2010			CNT 3