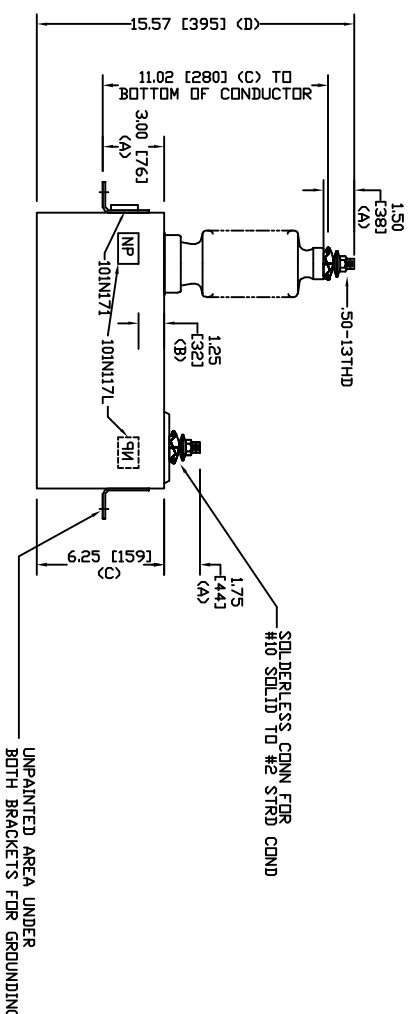
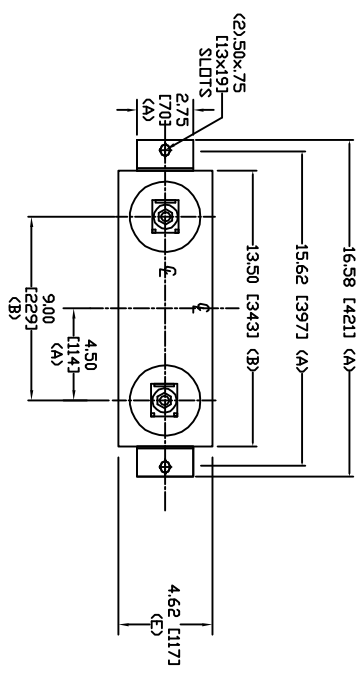


SIZE	DWG. NO.	SHT	REV
A	S1L231WC60	2	0
REV	DESCRIPTION	DATE	APPROVED
0	New	4/7/2006	



TOL	in.	mm
A	.06	1.5
B	.12	3.0
C	.18	4.6
D	.25	6.4
E	+5/-1	+13/-25

13800 V 1 PH 95 KVBL  
 50 KVAR 60 HZ  
 CAT. S1L231WC60  
 0.97 GAL  
 MFG DATE  
 101N171 READ GEH-2743

<b>GE ENERGY</b> <b>FORT EDWARD, N.Y., U.S.A.</b>		SIZE	A	WEIGHT	19.7 lbs 9 kg	<b>OUTLINE</b> <b>S1L231WC60</b>	
DRAWN	ACAD VBA	SCALE				SHEET	2
ISSUED	RAH	DATE	4/3/2010			CGNT	3