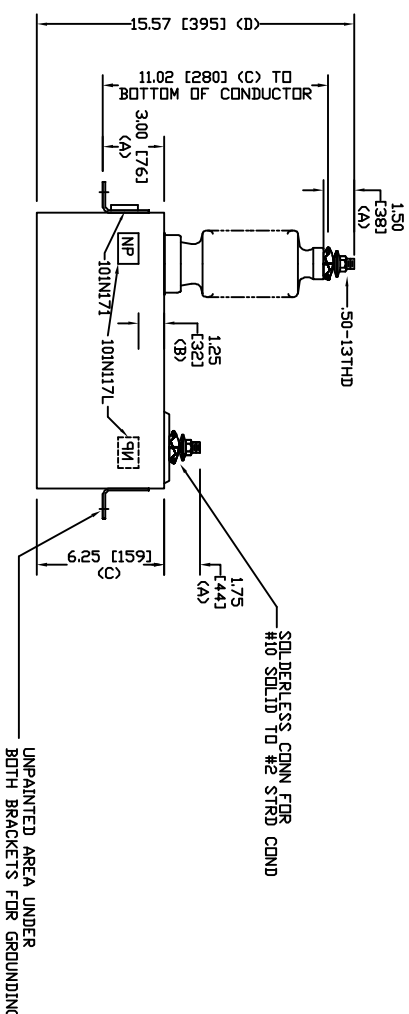
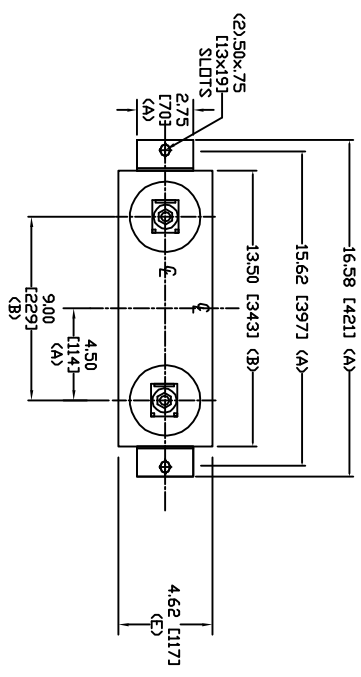


SIZE	DWG. NO.	SHT	REV
A	S1L232WC60	2	0
REV	DESCRIPTION	DATE	APPROVED
0	New	4/7/2006	



SOLDERLESS CONN. FOR #10 SOLID TO #2 STRD COND

UNPAINTED AREA UNDER BOTH BRACKETS FOR GROUNDING

TOL	in.	mm
A	.06	1.5
B	.12	3.0
C	.18	4.6
D	.25	6.4
E	+5/-1	+13/-25

14400 V 1 PH 60 HZ 95 KVBL  
 50 KVAR S1L232WC60  
 CAT. S1L232WC60  
 0.98 GAL  
 MFG DATE  
 101N171 READ GEH-2743



GE ENERGY  
 FORT EDWARD, N.Y., U.S.A.

DRAWN ACAD VBA DATE 4/3/2010  
 ISSUED RAH DATE 4/3/2010

SIZE A  
 WEIGHT 19.7 lbs  
 9 kg

OUTLINE  
 S1L232WC60  
 SHEET 2 CNT 3