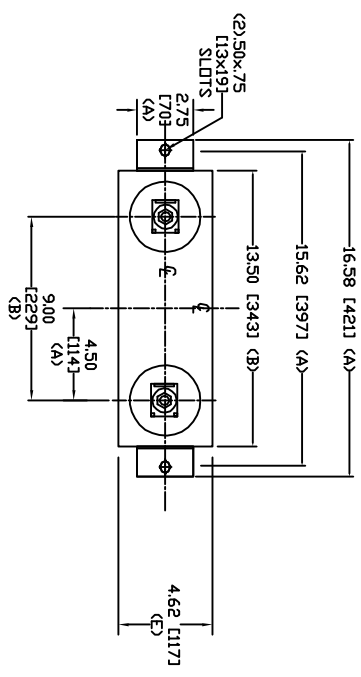
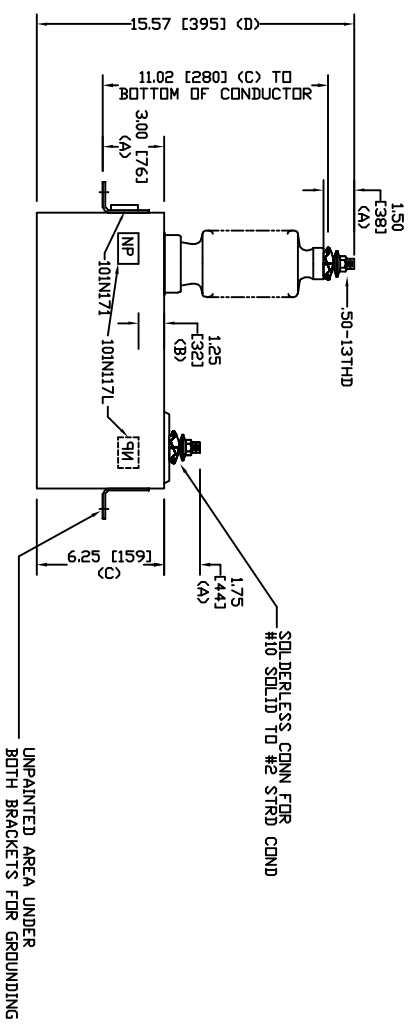


SIZE	DWG NO	SHT	REV
A	SIL234WC60	2	0
REV	DESCRIPTION	DATE	APPROVED
0	New	7/12/2006	



TOL	in.	mm
A	.06	1.5
B	.12	3.0
C	.18	4.6
D	.25	6.4
E	+5/-1	+13/-25



9960 V 1 PH 95 KV/BIL
 50 KVAR
 CAT. SIL234WC60
 0.98 GAL
 MFG DATE
 101N171 READ GEH-2743



GE ENERGY
 FORT EDWARD, N.Y., U.S.A.

DRAWN	ACAD VBA	DATE	4/3/2010
ISSUED	RAH	DATE	4/3/2010

SIZE	WEIGHT	OUTLINE
A	236 lbs	
SCALE	10.7 kg	SHEET 2
		CGNT 3