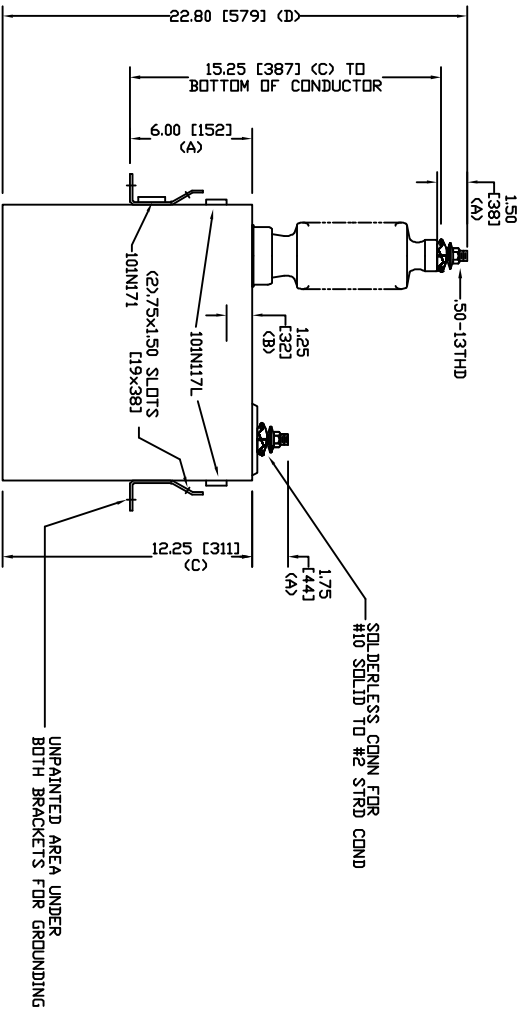
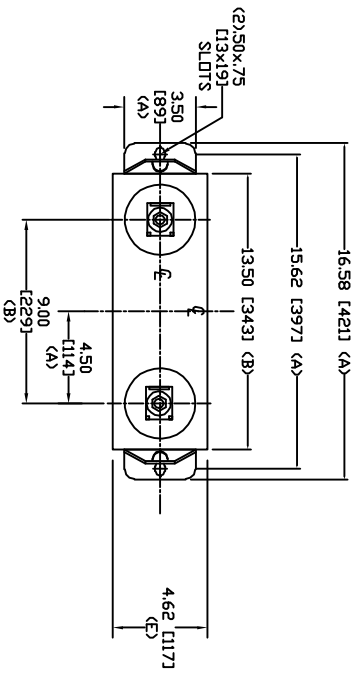


|      |             |           |          |
|------|-------------|-----------|----------|
| SIZE | DWG. NO.    | SHT       | REV      |
| A    | S1L255WC10  | 2         | 0        |
| REV  | DESCRIPTION | DATE      | APPROVED |
| 0    | New         | 9/18/2009 |          |



| TOL | In.    | mm      |
|-----|--------|---------|
| A   | .06    | 1.5     |
| B   | .12    | 3.0     |
| C   | .18    | 4.6     |
| D   | .25    | 6.4     |
| E   | +.5/-1 | +13/-25 |

19920 V 1 PH 150 KV/BIL  
 50 KVAR 60 HZ  
 CAT. S1L255WC10  
 1.46 GAL  
 MFG DATE  
 101N171 READ GEH-2743



GE ENERGY  
 FORT EDWARD, N.Y., U.S.A.

DRAWN ACAD VBA DATE 9/18/2009  
 ISSUED RAH DATE 9/18/2009

SIZE A

WEIGHT 38.6 lbs  
 17.5 kg

OUTLINE  
 S1L255WC10

SHEET 2 OF 3