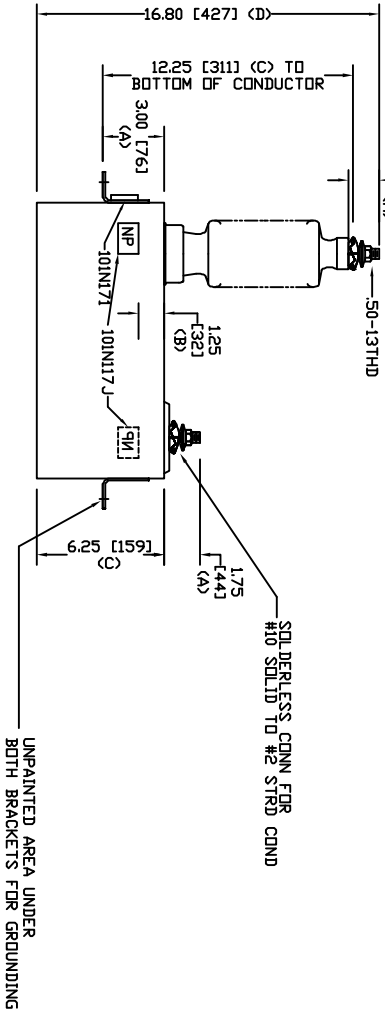
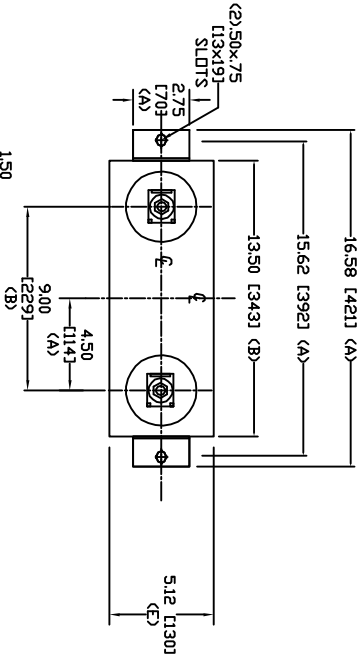


SIZE	DWG. NO.	SHT	REV
A	SIL255WC62	2	0
REV	DESCRIPTION	DATE	APPROVED
0	New	9/20/2004	



TOL	in.	mm
A	.06	1.5
B	.12	3.0
C	.18	4.6
D	.25	6.4
E	+.5/-1	+13/-25

19920 V 1 PH 150 KVBIL  
 50 KVAR 60 HZ  
 CAT. SIL255WC62  
 109 GAL  
 MFG DATE  
 101N171 READ GEH-2743



INDUSTRIAL SYSTEMS  
 FORT EDWARD, N.Y., U.S.A.

DRAWN	ACAD VBA	DATE
ISSUED		DATE

SIZE	WEIGHT	OUTLINE
A	28	
SCALE	12.7	SHEET 2
		CGNT 3