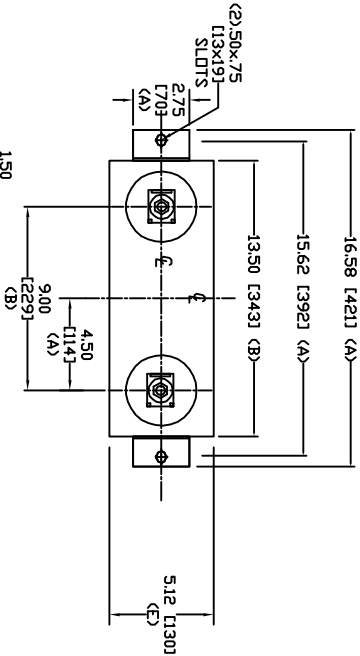
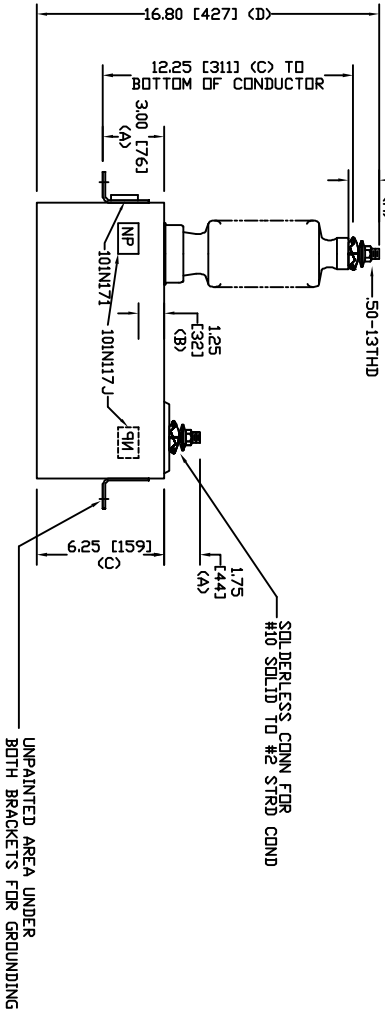


SIZE	DWG. NO.	SHT	REV
A	SIL256WC62	2	0
REV	DESCRIPTION	DATE	APPROVED
0	New	9/20/2004	



TOL	in.	mm
A	.06	1.5
B	.12	3.0
C	.18	4.6
D	.25	6.4
E	+.5/-1	+13/-25



21600 V 1 PH 150 KV/BIL
 50 KVAR 60 HZ
 CAT. SIL256WC62
 1.12 GAL
 MFG DATE
 101N171 READ GEH-2743

INDUSTRIAL SYSTEMS FORT EDWARD, N.Y., U.S.A.		SIZE	A	WEIGHT	28	OUTLINE SIL256WC62	SHEET	2	CQNT	3
DRAWN	ACAD VBA	SCALE		DATE	12.7		ISSUED	DATE		