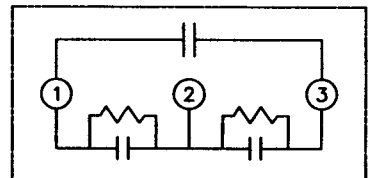
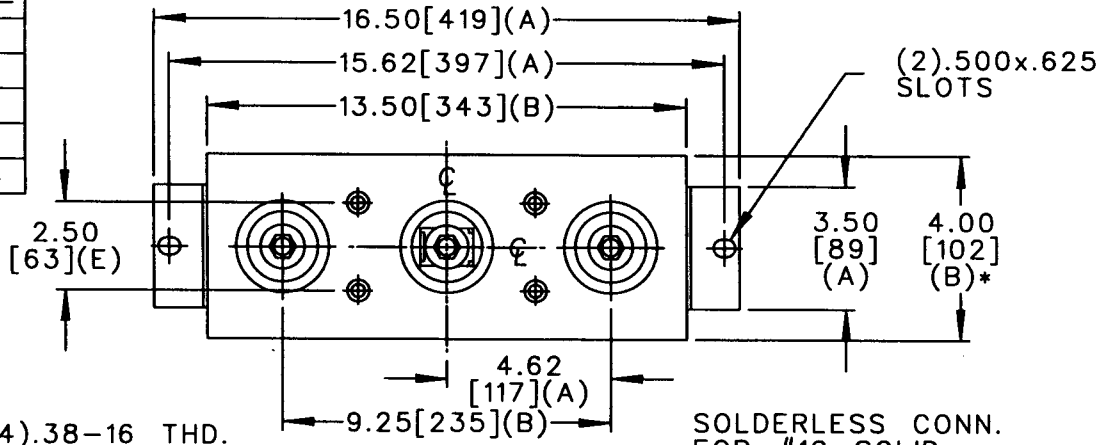
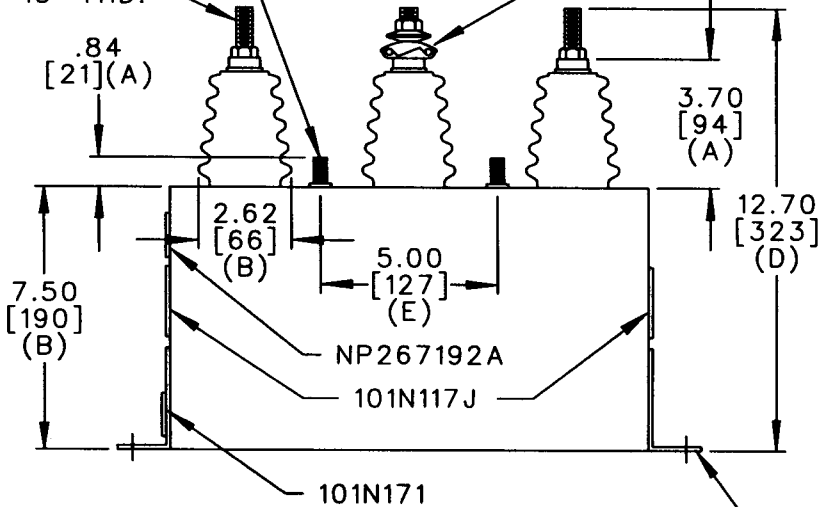


SIZE A	DWG NO. 51L305WS60	SH 2	REV
REV			

TOL	+/-
A	.06
B	.12
C	.18
D	.25
E	.04



SCHEMATIC DIAGRAM - 304



4160V 3PH
 75KVAR 60HZ 60KV BIL
 CAT. 51L305WS60 NO.
 0.68 GAL. MFG DATE
 GEH-2743

101N171

UNPAINTED AREA UNDER BOTH BRACKETS FOR GROUNDING

* UP TO +.50 [13] CASE BULGE

MAX. TERMINAL TIGHTENING TORQUE 15 FT-LBS

NP267192A

	CAPACITOR & POWER PROTECTION FORT EDWARD, N.Y., U.S.A.		SIZE A	FSCM NO	OUTLINE 51L305WS60
	DRAWN E.McGINN ISSUED 1-8-97	DEC. 31, 1996	SCALE		