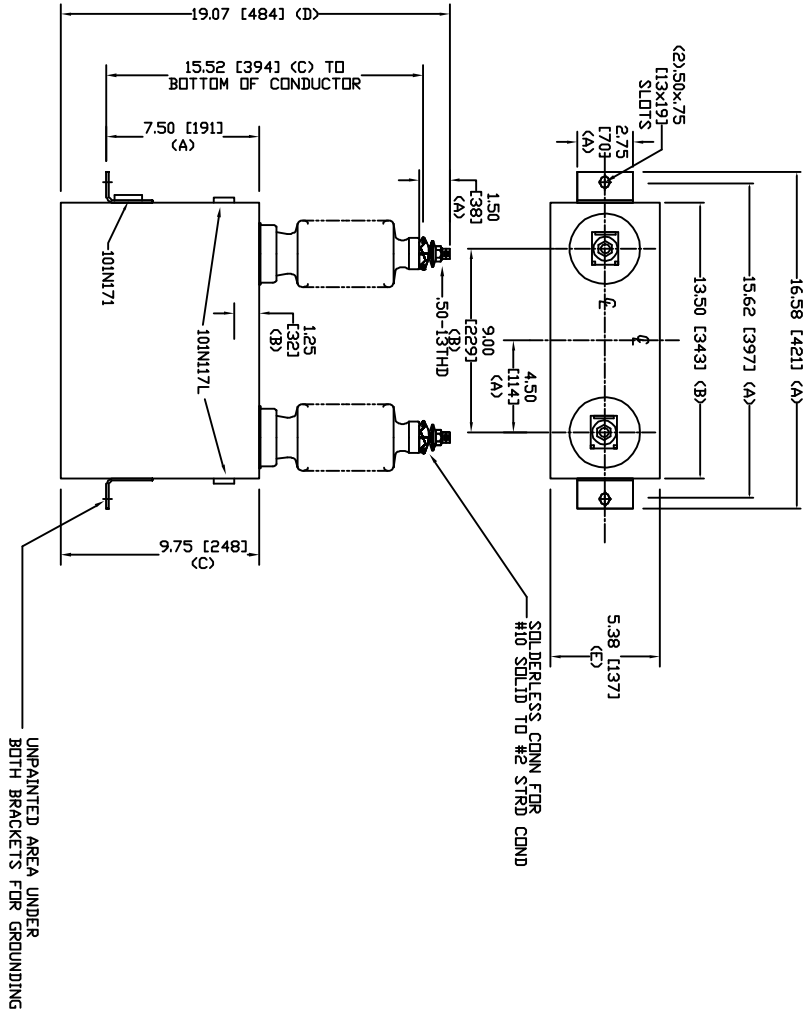


SIZE	DWG. NO.	SHT	REV
A	S4L204WC10	2	0
REV	DESCRIPTION	DATE	APPROVED
0	New	6/10/2005	



TOL	in.	mm
A	.06	1.5
B	.12	3.0
C	.18	4.6
D	.25	6.4
E	+.5/-1	+13/-25

4800 V 1 PH 95 KV BIL  
 100 KVAR 60 Hz  
 CAT. S4L204WC10  
 1.37 GAL  
 MFG DATE  
 101N171 READ GEH-2743  
 12" Creep, 95 KV BIL Bushing

<b>GE ENERGY</b> <b>FORT EDWARD, N.Y., U.S.A.</b>		SIZE	A
DRAWN	ACAD VBA	DATE	10/7/2010
ISSUED	RAH	DATE	10/7/2010
<b>WEIGHT</b> 37.6 lbs 17.1 kg		SCALE	
<b>OUTLINE</b> S4L204WC10		SHEET	2
		CGNT	3