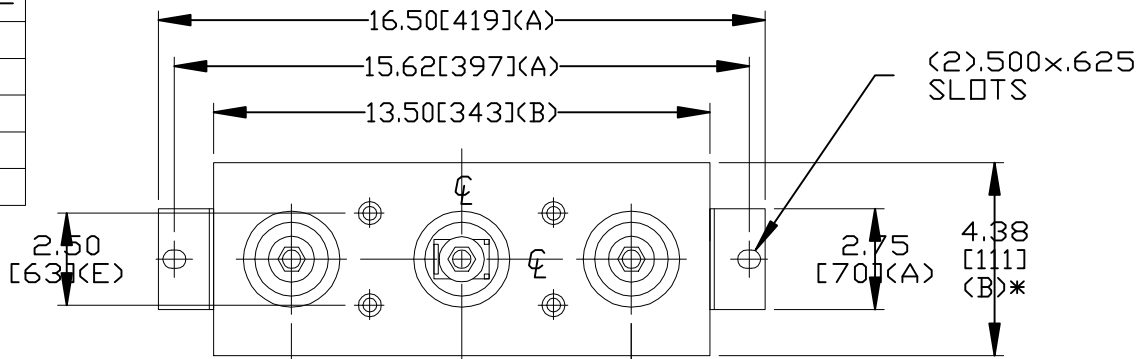


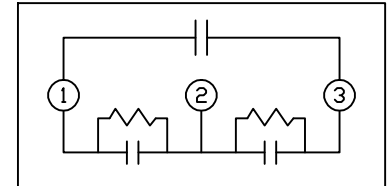
SIZE A	DWG NO. 54L306WS60	SH 2	REV 2
REV 2	DMR	UPDATE GAL DN NP 2/24/11	

TOL	+/-
A	.06
B	.12
C	.18
D	.25
E	.04

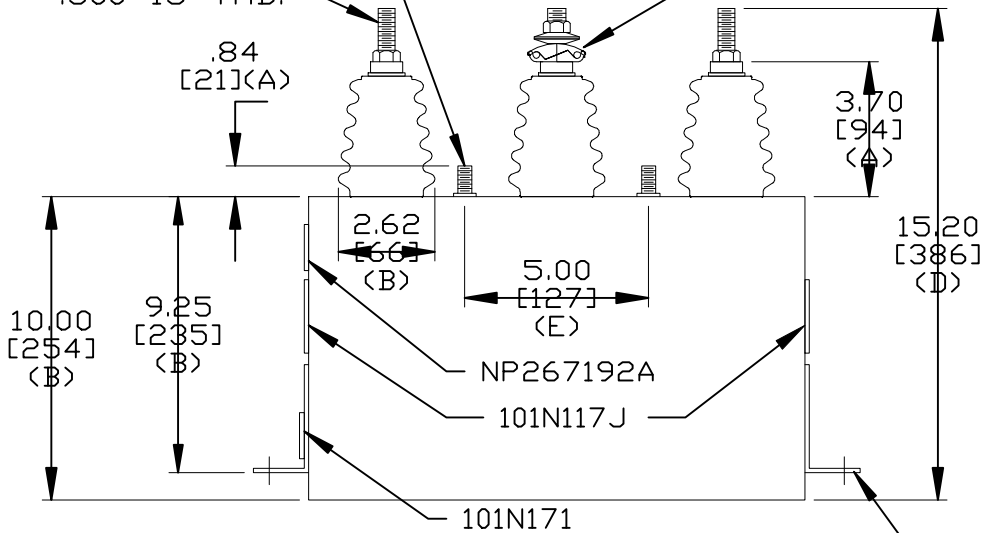


(4) .38-16 THD. MOUNTING STUDS  
.500-13 THD.

SOLDERLESS CONN.  
FOR #10 SOLID  
TO #2 STRANDED



SCHEMATIC DIAGRAM - 304



2400V 3PH  
125KVAR 60HZ 60KV BIL  
CAT. 54L306WS60 NO.  
0.94 GAL.  
MFG DATE  
GEH-2743

101N171

UNPAINTED AREA  
UNDER BOTH  
BRACKETS FOR  
GROUNDING

\* UP TO +.50 [13]  
CASE BULGE

MAX. TERMINAL  
TIGHTENING TORQUE  
15 FT-LBS

NP267192A

	CAPACITOR & POWER PROTECTION FORT EDWARD, N.Y., U.S.A.		SIZE A	FSCM NO.	OUTLINE 54L306WS60	DISTR TO
	DRAWN E.McGINN ISSUED 1-22-97	JAN. 22, 1997	SCALE			