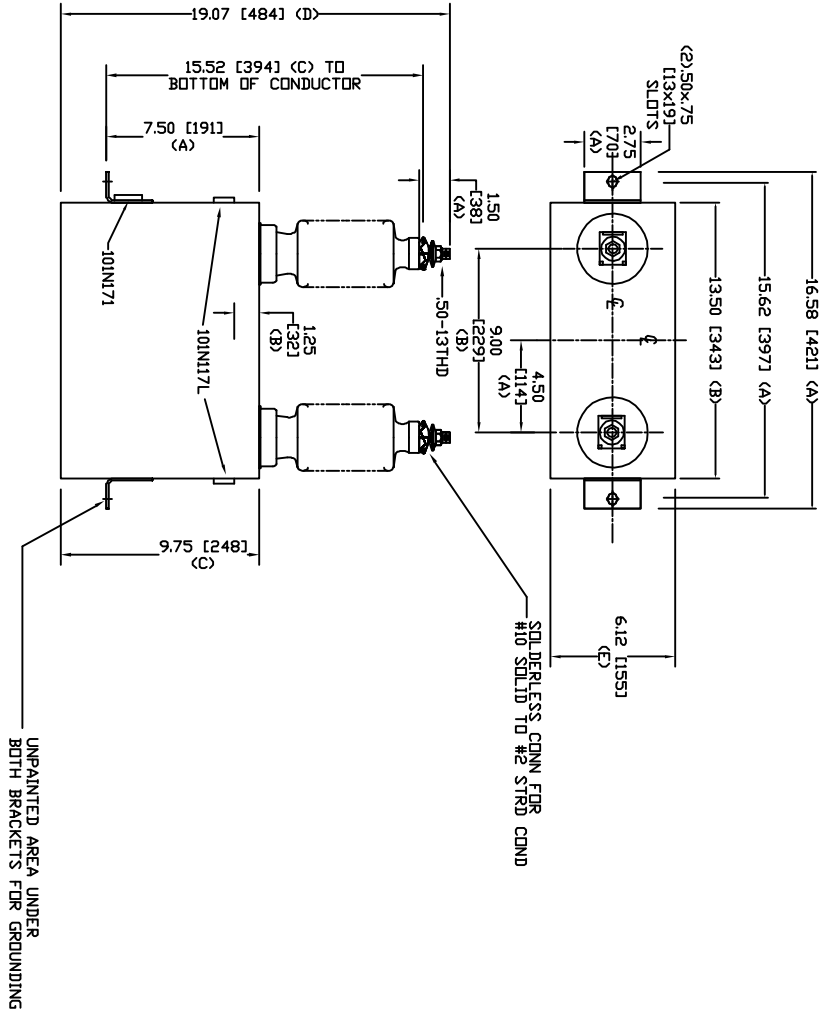


SIZE	DWG. NO.	SHT	REV
A	54L502WC60	2	0
REV	DESCRIPTION	DATE	APPROVED
0	New	7/12/2005	



TOL	in.	mm
A	.06	1.5
B	.12	3.0
C	.18	4.6
D	.25	6.4
E	+.5/-1	+13/-25

2770 V 1 PH 95 KV/BIL
 150 KVAR
 CAT. 54L502WC60
 1.45 GAL
 MFG DATE
 101N171 READ GEH-2743

INDUSTRIAL SYSTEMS FORT EDWARD, N.Y., U.S.A.		SIZE	A	WEIGHT	40.1 lbs 18.2 kg	OUTLINE 54L502WC60	
DRAWN	ACAD VBA	DATE	8/19/2008	SCALE		SHEET	2
ISSUED	RAH	DATE	8/19/2008			CNT	3