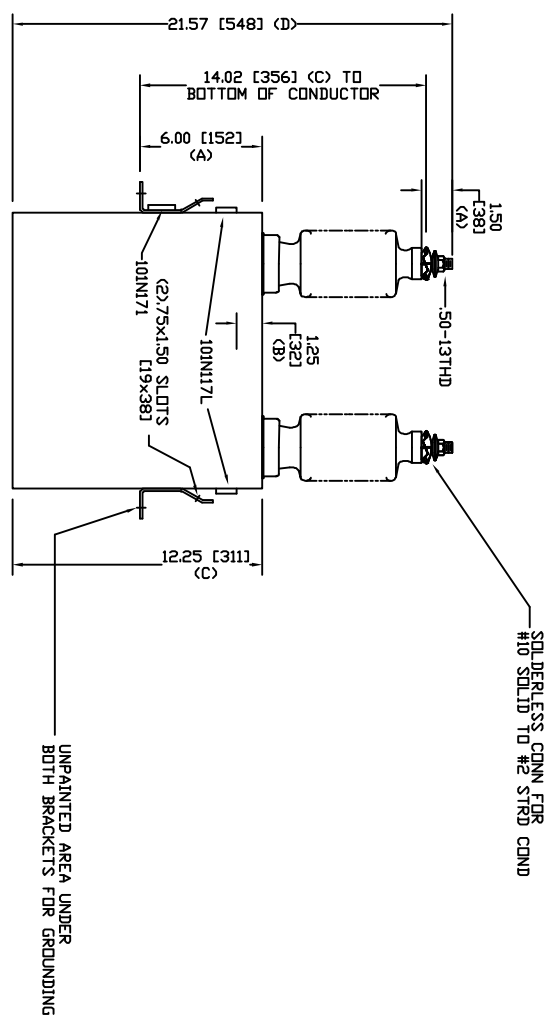
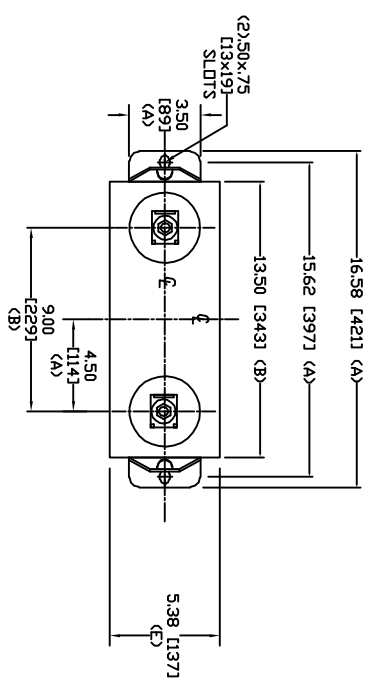


SIZE	DWG. NO.	SHT	REV
A	S4L503WC10	2	0
REV	DESCRIPTION	DATE	APPROVED
0	New	8/2/2006	



TOL	In.	mm
A	.06	1.5
B	.12	3.0
C	.18	4.6
D	.25	6.4
E	+5/-1	+13/-25

4160 V 1 PH 95 KVBL
 150 KVAR 60 Hz
 CAT. S4L503WC10
 168 GAL
 MFG DATE
 101N171 READ GEH-2743

INDUSTRIAL SYSTEMS FORT EDWARD, N.Y., U.S.A.		SIZE	WEIGHT	OUTLINE S4L503WC10	SHEET	CGNT
DRAWN	ACAD VBA	A	41.4 lbs 18.8 kg		2	3
ISSUED	RAH	SCALE				
DATE	DATE					
3/21/2007	3/21/2007					