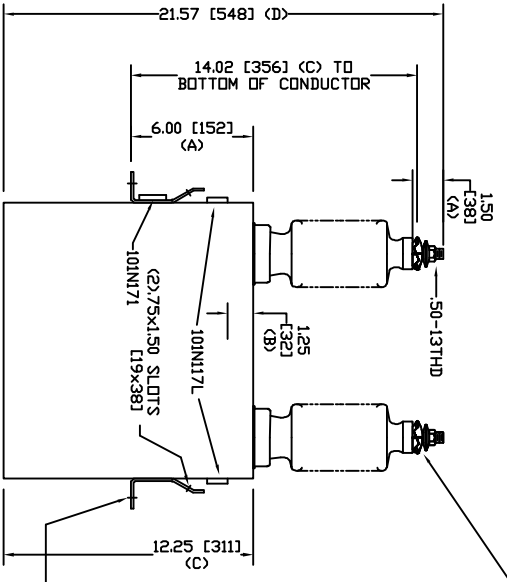
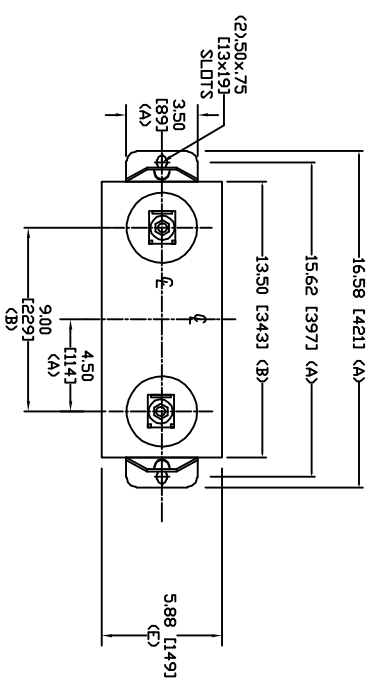


SIZE	DWG. NO.	SHT	REV
A	S4L504WC10	2	0
REV	DESCRIPTION	DATE	APPROVED
0	New	9/27/2007	



TOL	In.	mm
A	.06	1.5
B	.12	3.0
C	.18	4.6
D	.25	6.4
E	+.5/-1	+13/-25

4800 V 1 PH 95 KVBL
 150 KVAR 60 Hz
 CAT. S4L504WC10
 184 GAL
 MFG DATE
 101N171 READ GEH-2743

INDUSTRIAL SYSTEMS FORT EDWARD, N.Y., U.S.A.		SIZE	A
DRAWN	ACAD VBA	DATE	9/27/2007
ISSUED	RAH	DATE	9/27/2007
WEIGHT 45.8 lbs 20.8 kg		OUTLINE S4L504WC10	
		SHEET	2
		CGNT	3